

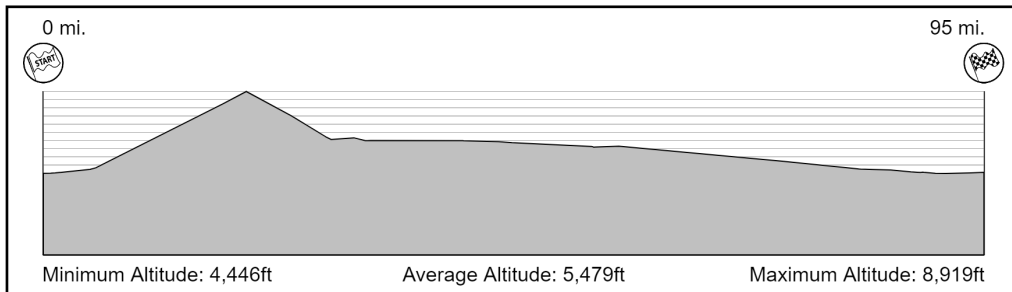
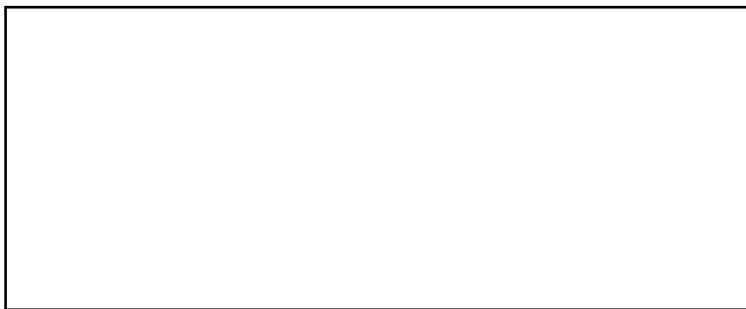


Reno Tahoe Rally

**95
Mi**

**43
Waypoints**

**61 Mi
Fuel Range**



START
Double Diamond Athletic Club

FINISH
Beer NV - Time for a Brew




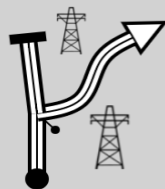
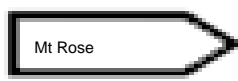
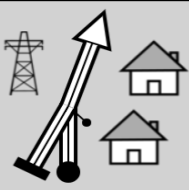




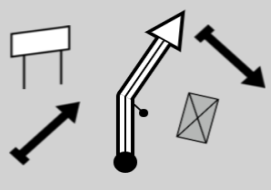



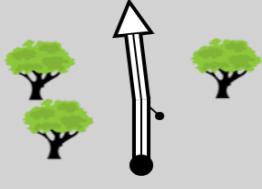


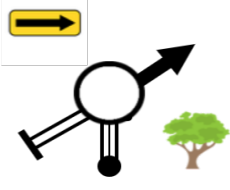



WARNING!!!
THIS ROUTE MAY BE DANGEROUS. FOLLOW THIS ROUTE AT YOUR OWN RISK.
Conditions change over time. Route leads to remote areas many miles from help. This is not a "closed" course. The route crosses and travels on public roads and highways where other vehicles, pedestrians, and animals may be present. Some hazards are identified here, for illustration purposes only, but most hazards are not identified or marked. Information provided is approximate, and should not be considered precise. Obey all laws and use caution at all times. If signs, maps, or other indicators suggest the route travels into closed, illegal, private property, or otherwise restricted areas, this roadbook should not be followed into such areas.
RALLY NAVIGATOR IS NOT RESPONSIBLE FOR THE ACCURACY OR SAFETY OF THIS ROUTE.

From TC 1 Tahoe		DISTANCE: 1.66 Mi		DAY: 1			
To TC 2 Reno		AVERAGE: 9.96 mph		SECTION: 1			
				TIME ALLOWED: 10 min			
DISTANCE		DIRECTION	INFORMATION	DISTANCE REGRESS			
TOTAL	PARTIAL						
0.00	0.00	 1	TC 1 Tahoe 35 <table border="1"> <tr><td>N-039°26.717'</td></tr> <tr><td>W-119°44.865'</td></tr> <tr><td>ALT: 4449 ft</td></tr> </table>	N-039°26.717'	W-119°44.865'	ALT: 4449 ft	1,66
N-039°26.717'							
W-119°44.865'							
ALT: 4449 ft							
0.05	0.05	 2	Left	1,61			
0.75	0.70	 3	45 Left	0,91			
1.21	0.46	 4	45 Right	0,45			
1.66	0.45	 5	 65 <table border="1"> <tr><td>N-039°26.368'</td></tr> <tr><td>W-119°46.016'</td></tr> <tr><td>ALT: 4499 ft</td></tr> </table>	N-039°26.368'	W-119°46.016'	ALT: 4499 ft	0,00
N-039°26.368'							
W-119°46.016'							
ALT: 4499 ft							

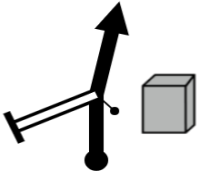
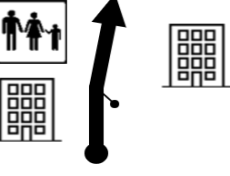
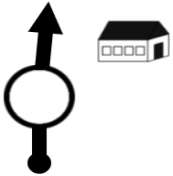







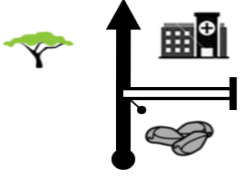

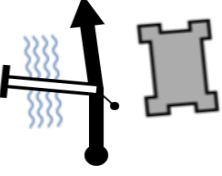
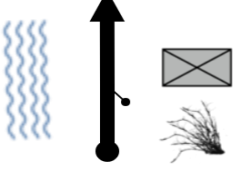


PROXIMA NOTA
 PROCH NOTE
 NEXT NOTE

0.00

TURN QUICKLY !!

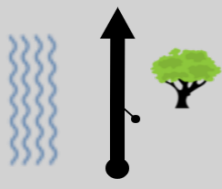


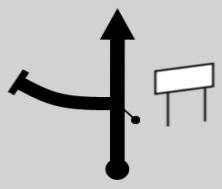
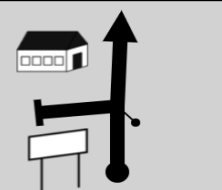

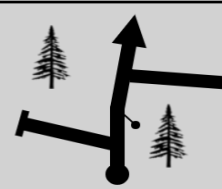


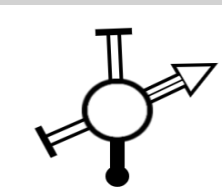



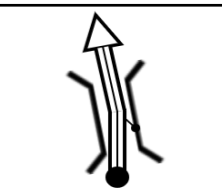
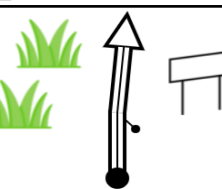

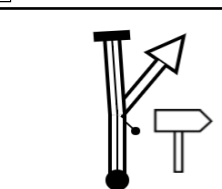

From TC 2 Reno		To TC 2 Tahoe		DISTANCE:	40.82 Mi	DAY:	1
SPECIAL STAGE		2		RECORD:	Revised Route	TIME ALLOWED:	80 min
Mt Rose		26,83 Mi					
DISTANCE		DIRECTION		INFORMATION		DISTANCE REGRESS	
TOTAL	PARTIAL						
0.00	0,00	 <div style="display: flex; justify-content: space-between;">626.83</div>		  <div style="border: 1px solid black; padding: 2px; font-size: 8px;"> N-039°26.303' W-119°45.997' ALT: 4501 ft </div>		40,82	
2.99	2.99	 <div style="display: flex; justify-content: space-between;">723.84</div>		 Right onto Mt Rose Hwy		37,83	
3.58	0.59	 <div style="display: flex; justify-content: space-between;">823.25</div>		Merge onto Mt Rose Hwy		37,24	
5.21	1.63	 <div style="display: flex; justify-content: space-between;">921.62</div>		Straight		35,61	
16.48	11.27	 <div style="display: flex; justify-content: space-between;">1010.35</div>		  Mt Rose ski Resort		24,34	
18.85	2.37	 <div style="display: flex; justify-content: space-between;">117.98</div>		Mt Rose Summit - 8900 ft.		21,97	
23.44	4.59	 <div style="display: flex; justify-content: space-between;">123.39</div>		  Overlook on Left		17,38	
26.83	3.39	 <div style="display: flex; justify-content: space-between;">130.00</div>		 FINISH SS 2 Mt Rose 26,83 Mi  <div style="border: 1px solid black; padding: 2px; font-size: 8px;"> N-039°15.172' W-119°58.330' ALT: 6474 ft </div>		13,99	
26.93	0.10	 <div style="display: flex; justify-content: space-between;">14</div>		 STOP   <div style="border: 1px solid black; padding: 2px; font-size: 8px;"> N-039°15.097' W-119°58.385' ALT: 6440 ft </div>		13,89	

1

From TC 2 Reno		To TC 2 Tahoe		DISTANCE:	40.82 Mi	DAY:	1
				AVERAGE:	30.62 mph	SECTION:	1
						TIME ALLOWED:	80 min
DISTANCE		DIRECTION		INFORMATION		DISTANCE REGRESS	
TOTAL	PARTIAL						
27.45	0.52	 <div style="border: 1px solid black; padding: 2px; width: fit-content; margin-left: 20px;">15</div>		Past Lakeshore Dr.		13,37	
29.77	2.32	 <div style="border: 1px solid black; padding: 2px; width: fit-content; margin-left: 20px;">16</div>		Past CA/NV Stateline Casino		11,05	
30.92	1.15	 <div style="border: 1px solid black; padding: 2px; width: fit-content; margin-left: 20px;">17</div>		Straight		9,90	
31.07	0.15	 <div style="border: 1px solid black; padding: 2px; width: fit-content; margin-left: 20px;">18</div>		 Straight		9,75	
31.13	0.06	 <div style="border: 1px solid black; padding: 2px; width: fit-content; margin-left: 20px;">19</div>		    <div style="border: 1px solid black; padding: 2px; width: fit-content; margin-left: 10px;"> N-039°14.232' W-120°01.528' ALT: 6237 ft </div>		9,69	
31.46	0.33	 <div style="border: 1px solid black; padding: 2px; width: fit-content; margin-left: 20px;">20</div>		 Straight		9,36	
40.68	9.22	 <div style="border: 1px solid black; padding: 2px; width: fit-content; margin-left: 20px;">21</div>		Stay Right Along Truckee River		0,14	
40.82	0.14	 <div style="border: 1px solid black; padding: 2px; width: fit-content; margin-left: 20px;">22</div>		 TC 2 Tahoe (-40,82)  <div style="border: 1px solid black; padding: 2px; width: fit-content; margin-left: 10px;"> N-039°09.969' W-120°08.816' ALT: 6232 ft </div>		0,00	

PROXIMA NOTA
PROCH NOTE
NEXT NOTE

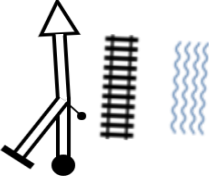
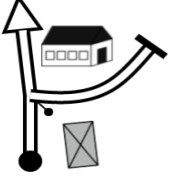
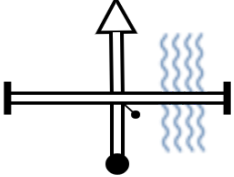
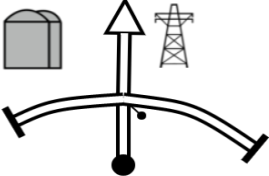
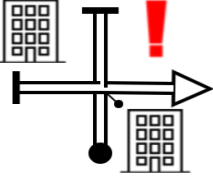

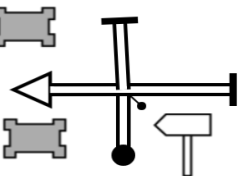
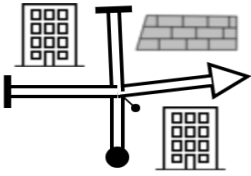
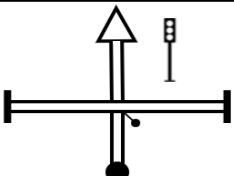
TURN QUICKLY !!

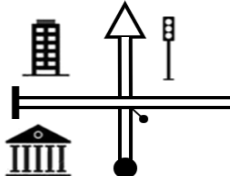


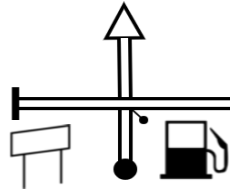

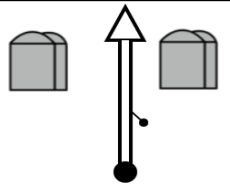



From TC 2 Tahoe		To TC 3 Truckee		DISTANCE:	52.78 Mi	DAY:	1			
SPECIAL STAGE		2		RECORD:	Revised Route	TIME ALLOWED:	110 min			
Ski Hill		13,21 Mi								
DISTANCE		DIRECTION		INFORMATION		DISTANCE REGRESS				
TOTAL	PARTIAL									
0.00	0,00	 23 13.21		 Start  <table border="1"> <tr><td>N-039°09.916'</td></tr> <tr><td>W-120°08.874'</td></tr> <tr><td>ALT: 6226 ft</td></tr> </table>		N-039°09.916'	W-120°08.874'	ALT: 6226 ft	52,78	
N-039°09.916'										
W-120°08.874'										
ALT: 6226 ft										
3.54	3.54	 24 9.67		Alpine Meadows		49,24				
4.90	1.36	 25 8.31		Squaw Valley		47,88				
12.99	8.09	 26 0.22		Train Tracks		39,79				
2 13.21	0.22	 27 0.00		 FINISH SS 2 Ski Hill 13,21 Mi  <table border="1"> <tr><td>N-039°19.232'</td></tr> <tr><td>W-120°12.458'</td></tr> <tr><td>ALT: 5881 ft</td></tr> </table>		N-039°19.232'	W-120°12.458'	ALT: 5881 ft	39,57	
N-039°19.232'										
W-120°12.458'										
ALT: 5881 ft										
13.31	0.10	 28		 STOP   <table border="1"> <tr><td>N-039°19.325'</td></tr> <tr><td>W-120°12.460'</td></tr> <tr><td>ALT: 5884 ft</td></tr> </table>		N-039°19.325'	W-120°12.460'	ALT: 5884 ft	39,47	
N-039°19.325'										
W-120°12.460'										
ALT: 5884 ft										
15.74	2.43	 29		Straight on HWY 80 East		37,04				
32.47	16.73	 30		 Straight at NV State Line		20,31				
40.08	7.61	 31		 Exit Hwy 80		12,70				

PROXIMA NOTA
PROCH NOTE
NEXT NOTE

0.18

TURN QUICKLY !!

From TC 2 Tahoe		DISTANCE: 52.78 Mi		DAY: 1	
To TC 3 Truckee		AVERAGE: 28.79 mph		SECTION: 1	
				TIME ALLOWED: 110 min	
DISTANCE		DIRECTION	INFORMATION	DISTANCE REGRESS	
TOTAL	PARTIAL				
40.26	0.18	 32	Merge onto 4th St. along Truckee River	12,52	
41.62	1.36	 33	Mayberry Ave	11,16	
43.31	1.69	 34	Straight	9,47	
45.37	2.06	 35	Keystone Straight	7,41	
46.01	0.64	 36	Right on Sierra at Casinos	6,77	
46.35	0.34	 37	Straight across Truckee River	6,43	
46.59	0.24	 38	Left	6,19	
46.67	0.08	 39	45 Right	6,11	
47.86	1.19	 40	Straight Plumb Lane	4,92	

From TC 2 Tahoe		DISTANCE:		DAY: 1			
To TC 3 Truckee		52.78 Mi		SECTION: 1			
		AVERAGE:		TIME ALLOWED:			
		28.79 mph		110 min			
DISTANCE		DIRECTION	INFORMATION	DISTANCE REGRESS			
TOTAL	PARTIAL						
48.91	1.05	 <div style="border: 1px solid black; padding: 2px; display: inline-block;">41</div>	  Straight Moana Lane	3,87			
51.46	2.55	 <div style="border: 1px solid black; padding: 2px; display: inline-block;">42</div>	 Straight	1,32			
52.78	1.32	 <div style="border: 1px solid black; padding: 2px; display: inline-block;">43</div>	 Finish   <table border="1" style="font-size: small;"> <tr><td>N-039°26.363'</td></tr> <tr><td>W-119°46.200'</td></tr> <tr><td>ALT: 4504 ft</td></tr> </table>	N-039°26.363'	W-119°46.200'	ALT: 4504 ft	0,00
N-039°26.363'							
W-119°46.200'							
ALT: 4504 ft							