

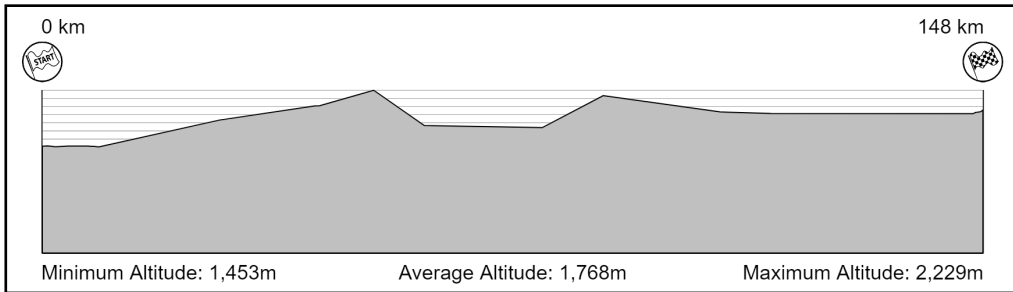
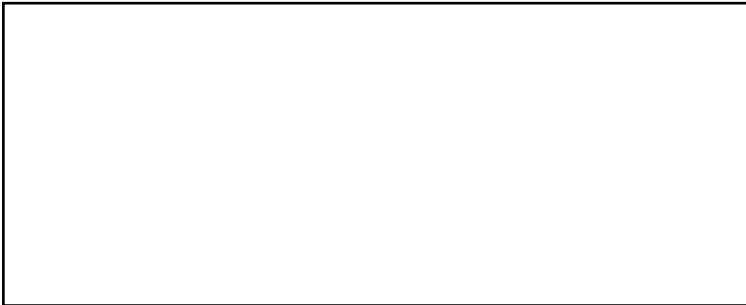


Time Speed Distance

**148
Km**

**25
Waypoints**

**144 Km
Fuel Range**



Start:
Carson City, Nevada




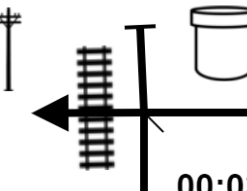



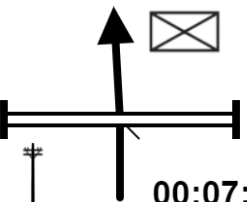
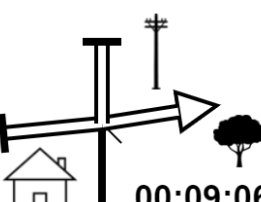


Finish:
Lake Tahoe, California

WARNING!!!

This route may be dangerous. Follow this route at your own risk.




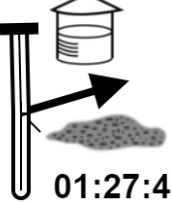


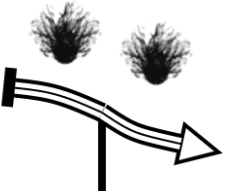
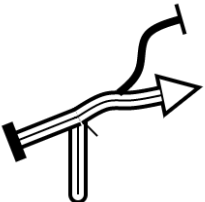
Conditions change over time. Route leads to remote areas many miles from help. This is not a "closed" course. The route crosses and travels on public roads and highways where other vehicles, pedestrians, and animals may be present. Some hazards are identified here, for illustration purposes only, but most hazards are not identified or marked. Information provided is approximate, and should not be considered precise. Obey all laws and use caution at all times. If signs, maps, or other indicators suggest the route travels into closed, illegal, private property, or otherwise restricted areas, this roadbook should not be followed into such areas.

Rally Navigator is not responsible for the accuracy or safety of this route.

PAGE 1	Time Speed Distance	KM TOTAL : 147.89
<p>0,00</p> <p>1 0,00</p>	 <p>00:00:00</p>	<p>35 </p> <p>Start TSD</p> <p>193° 038°58.957'N 119°42.917'W</p>
<p>0,85</p> <p>2 0,85</p>		<p>!</p> <p>Stay Right</p> <p>270°</p>
<p>2,03</p> <p>3 1,18</p>	 <p>00:03:28</p>	<p></p> <p>Left at Well then Cross Tracks</p> <p>180°</p>
<p>3,94</p> <p>4 1,91</p>		<p></p> <p>Right</p> <p>181°</p>
<p>4,46</p> <p>5 0,52</p>	 <p>00:07:37</p>	<p>100</p> <p>Straight</p> <p>178°</p>
<p>6,92</p> <p>6 2,46</p>	 <p>00:09:06</p>	<p></p> <p>Right</p>
<p>7,58</p> <p>7 0,66</p>	 <p>00:09:30</p>	<p>15</p> <p>Left</p>

PROXIMA NOTA
PROCH NOTE
NEXT NOTE

0,32

PAGE 2	Time Speed Distance	KM TOTAL : 147.89
<p>7,90</p> <p>8 0,32</p>	 <p>00:10:47</p>	 <p>Stay Right</p>
<p>8,67</p> <p>9 0,77</p>	 <p>00:13:52</p>	<p>!</p> <p>Left onto HWY</p>
<p>27,15</p> <p>10 18,48</p>	 <p>01:27:47</p>	<p>55</p> <p>Right</p>
<p>41,78</p> <p>11 14,63</p>	 <p>01:43:45</p>	<p>Stay Right</p>
<p>42,50</p> <p>12 0,72</p>		<p>!</p> <p>Right</p>
<p>50,82</p> <p>13 8,32</p>		<p>Right onto HWY</p>
<p>58,60</p> <p>14 7,78</p>		<p>Right</p> <p>338°</p>

PROXIMA NOTA
PROCH NOTE
NEXT NOTE

18,08