

WWW.RALLYNAVIGATOR.COM

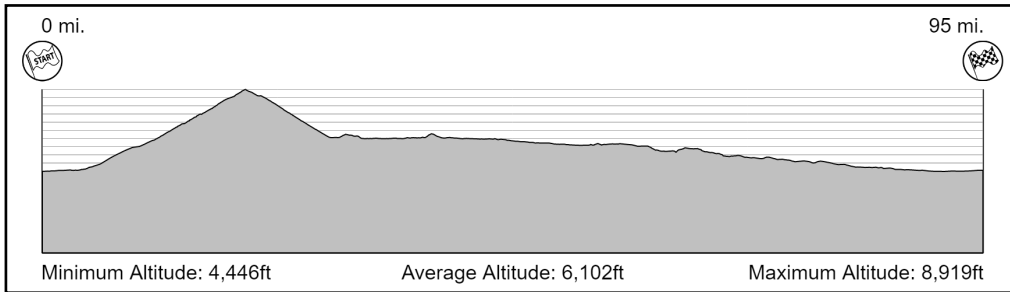


Reno Tahoe Rally

**95
Mi**

**44
Waypoints**

**61 Mi
Fuel Range**



Start:
1090, Sandhill Road, Reno, Washoe
County, Nevada, United States, 89521,
3960




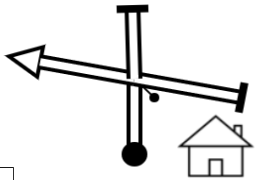

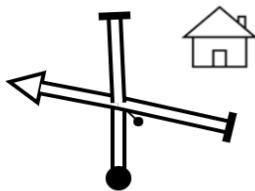

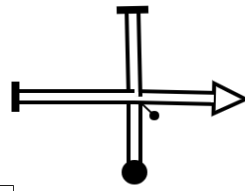

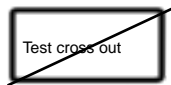
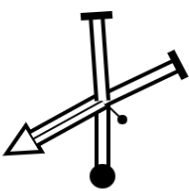


Finish:
15, Foothill Road, Reno, Washoe
County, Nevada, United States, 89511

WARNING!!!

This route may be dangerous. Follow this route at your own risk.

Conditions change over time. Route leads to remote areas many miles from help. This is not a "closed" course. The route crosses and travels on public roads and highways where other vehicles, pedestrians, and animals may be present. Some hazards are identified here, for illustration purposes only, but most hazards are not identified or marked. Information provided is approximate, and should not be considered precise. Obey all laws and use caution at all times. If signs, maps, or other indicators suggest the route travels into closed, illegal, private property, or otherwise restricted areas, this roadbook should not be followed into such areas.




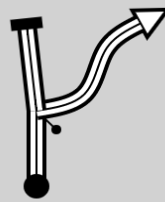
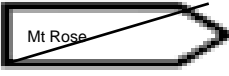

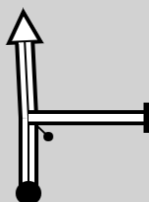
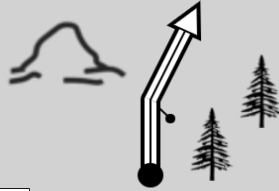


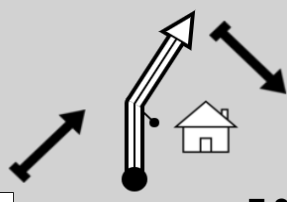

Rally Navigator is not responsible for the accuracy or safety of this route.

From TC 111 Tahoe		DISTANCE: 1.67 Mi		DAY: 1			
To TC 11 Reno		AVERAGE: 10.02 mph		SECTION: 1			
				TIME ALLOWED: 10 min			
DISTANCE		DIRECTION	INFORMATION	DISTANCE REGRESS			
TOTAL	PARTIAL						
0.00	0.00	 1	 TC 111 Tahoe  <table border="1"> <tr><td>N-039°26.711</td></tr> <tr><td>W-119°44.865</td></tr> <tr><td>ALT: 4449 ft</td></tr> </table>	N-039°26.711	W-119°44.865	ALT: 4449 ft	1,67
N-039°26.711							
W-119°44.865							
ALT: 4449 ft							
0.05	0.05	 2	 Left	1,62			
0.75	0.70	 3	 Left	0,92			
1.21	0.46	 4	  Right	0,46			
1.67	0.46	 5	  <table border="1"> <tr><td>N-039°26.368</td></tr> <tr><td>W-119°46.016</td></tr> <tr><td>ALT: 4499 ft</td></tr> </table>	N-039°26.368	W-119°46.016	ALT: 4499 ft	0,00
N-039°26.368							
W-119°46.016							
ALT: 4499 ft							

PROXIMA NOTA
PROCH NOTE
NEXT NOTE

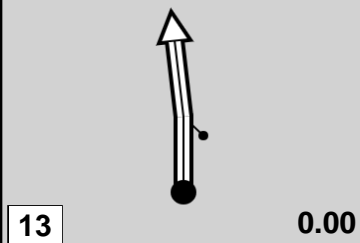

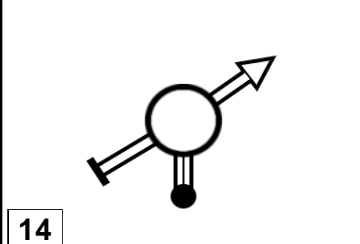



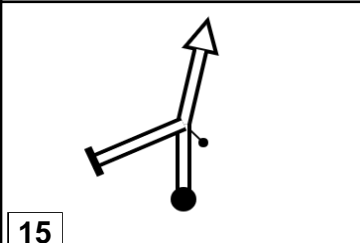
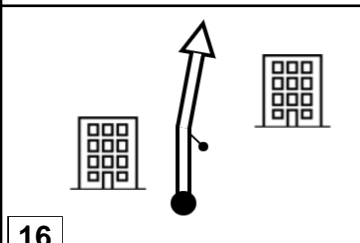
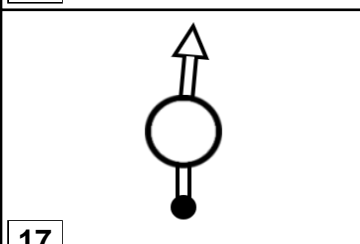
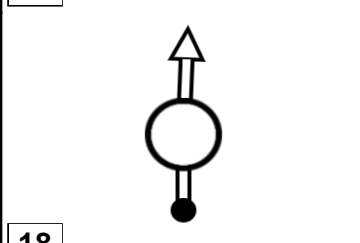
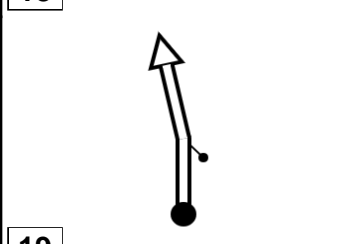




0.00

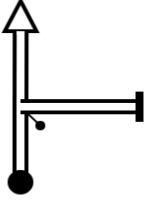


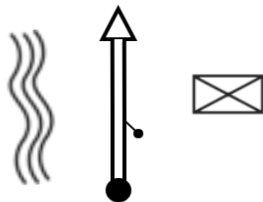


TURN QUICKLY !!















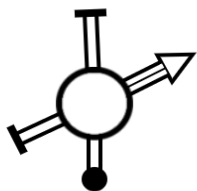



From TC 11 Reno		DISTANCE: 40.82 Mi		DAY: 1
To TC 2 Tahoe		RECORD: Revised Route		SECTION: 1
SPECIAL STAGE 11		TIME ALLOWED: 80 min		
Mt Rose 26,83 Mi				
DISTANCE		DIRECTION	INFORMATION	DISTANCE REGRESS
TOTAL	PARTIAL			
0.00	0,00	 6 26.83	  <div style="border: 1px solid black; padding: 2px; display: inline-block;"> N-039°26.303 W-119°45.997 ALT: 4501 ft </div>	40,82
2.99	2.99	 7 23.84	 Right onto Mt Rose Hwy	37,83
3.58	0.59	 8 23.25	Merge onto Mt Rose Hwy	37,24
5.21	1.63	 9 21.62	Straight	35,61
16.48	11.27	 10 10.35	  Mt Rose ski Resort	24,34
18.85	2.37	 11 7.98	Mt Rose Summit - 8900 ft.	21,97
23.44	4.59	 12 3.39	Overlook on Left	17,38

PROXIMA NOTA
PROCH NOTE
NEXT NOTE

3.39

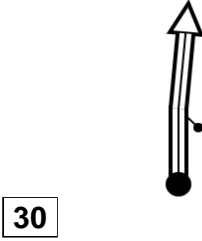

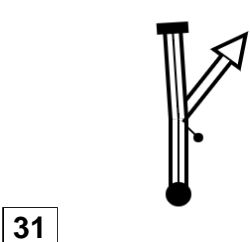

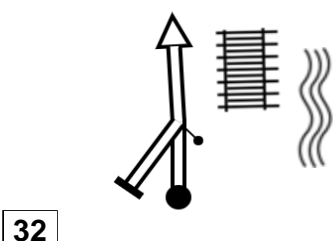
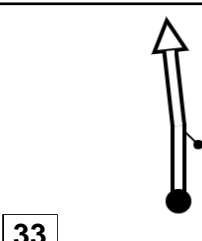
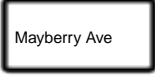
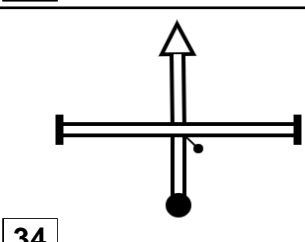
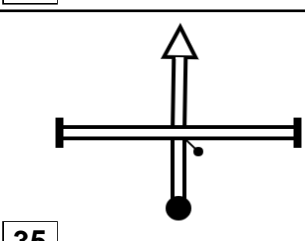
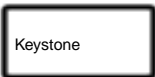
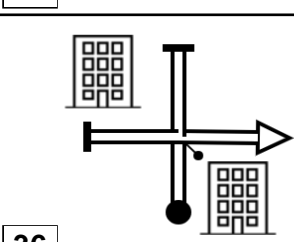
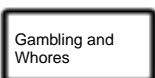
From TC 11 Reno		DISTANCE: 40.82 Mi		DAY: 1				
To TC 2 Tahoe		RECORD: Revised Route		SECTION: 1				
SPECIAL STAGE 11 Mt Rose		26,83 Mi		TIME ALLOWED: 80 min				
DISTANCE		DIRECTION	INFORMATION	DISTANCE REGRESS				
TOTAL	PARTIAL							
1	26.83	3.39	 13 0.00	FINISH SS 11 Mt Rose 26,83 Mi  <table border="1"> <tr><td>N-039°15.172</td></tr> <tr><td>W-119°58.330</td></tr> <tr><td>ALT: 6474 ft</td></tr> </table>	N-039°15.172	W-119°58.330	ALT: 6474 ft	13,99
	N-039°15.172							
	W-119°58.330							
	ALT: 6474 ft							
	26.93	0.10	 14	 STOP   <table border="1"> <tr><td>N-039°15.097</td></tr> <tr><td>W-119°58.385</td></tr> <tr><td>ALT: 6440 ft</td></tr> </table>	N-039°15.097	W-119°58.385	ALT: 6440 ft	13,89
	N-039°15.097							
	W-119°58.385							
ALT: 6440 ft								
27.45	0.52	 15	Past Lakeshore Dr.	13,37				
29.77	2.32	 16	Past CA/NV Stateline Casino	11,05				
30.92	1.15	 17	Straight	9,90				
31.07	0.15	 18	Straight	9,75				
31.13	0.06	 19	    <table border="1"> <tr><td>N-039°14.232</td></tr> <tr><td>W-120°01.528</td></tr> <tr><td>ALT: 6237 ft</td></tr> </table>	N-039°14.232	W-120°01.528	ALT: 6237 ft	9,69	
N-039°14.232								
W-120°01.528								
ALT: 6237 ft								
PROXIMA NOTA PROCH NOTE NEXT NOTE		0.33						

From TC 11 Reno		DISTANCE: 40.82 Mi		DAY: 1			
To TC 2 Tahoe		AVERAGE: 30.62 mph		SECTION: 1			
				TIME ALLOWED: 80 min			
DISTANCE		DIRECTION	INFORMATION	DISTANCE REGRESS			
TOTAL	PARTIAL						
31.46	0.33	 <div style="border: 1px solid black; padding: 2px; display: inline-block;">20</div>	 Straight	9,36			
40.68	9.22	 <div style="border: 1px solid black; padding: 2px; display: inline-block;">21</div>	Stay right	0,14			
40.82	0.14	 <div style="border: 1px solid black; padding: 2px; display: inline-block;">22</div>	 TC 2 Tahoe (-40,82)  <table border="1" style="font-size: small;"> <tr><td>N-039°09.969</td></tr> <tr><td>W-120°08.816</td></tr> <tr><td>ALT: 6232 ft</td></tr> </table>	N-039°09.969	W-120°08.816	ALT: 6232 ft	0,00
N-039°09.969							
W-120°08.816							
ALT: 6232 ft							
<small>PROXIMA NOTA PROCH NOTE NEXT NOTE</small>		0.00	TURN QUICKLY !!				

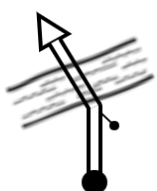
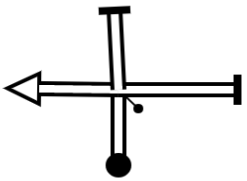
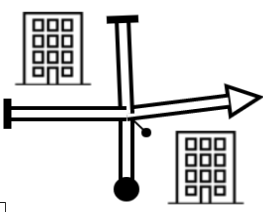
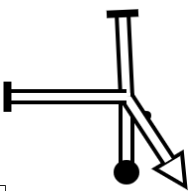
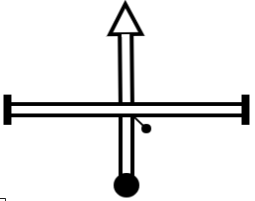
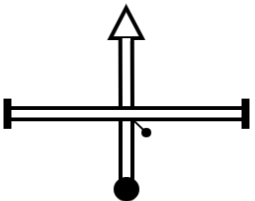


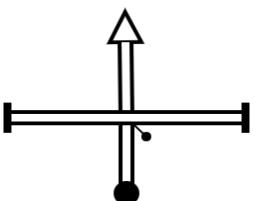

From TC 2 Tahoe		DISTANCE: 52.78 Mi		DAY: 1
To TC 3 Truckee		RECORD: Revised Route		SECTION: 1
SPECIAL STAGE 2		TIME ALLOWED: 110 min		
Ski Hill		13,21 Mi		
DISTANCE		DIRECTION	INFORMATION	DISTANCE REGRESS
TOTAL	PARTIAL			
0.00	0,00	  <div style="display: flex; justify-content: space-between;"> 23 13.21 </div>	 <p>Custom Text</p> <div style="display: flex; align-items: center;">  <div style="margin-left: 5px;"> <p>N-039°09.916 W-120°08.874 ALT: 6226 ft</p> </div> </div>	52,78
3.54	3.54	 <div style="display: flex; justify-content: space-between;"> 24 9.67 </div>	Alpine Meadows	49,24
4.90	1.36	 <div style="display: flex; justify-content: space-between;"> 25 8.31 </div>	Squaw Valley	47,88
12.99	8.09	   <div style="display: flex; justify-content: space-between;"> 26 0.22 </div>	Train Tracks	39,79
2 13.21	0.22	   <div style="display: flex; justify-content: space-between;"> 27 0.00 </div>	 <p>FINISH SS 2 Ski Hill 13,21 Mi</p> <div style="display: flex; align-items: center;">  <div style="margin-left: 5px;"> <p>N-039°19.232 W-120°12.458 ALT: 5881 ft</p> </div> </div>	39,57
13.31	0.10	 <div style="display: flex; justify-content: space-between;"> 28 </div>	 <p>STOP</p> <div style="display: flex; align-items: center;">  <div style="margin-left: 5px;"> <p>N-039°19.325 W-120°12.460 ALT: 5884 ft</p> </div> </div>	39,47
15.74	2.43	 <div style="display: flex; justify-content: space-between;"> 29 </div>	Straight on HWY	37,04




PROXIMA NOTA
PROCH NOTE
NEXT NOTE

16.73

From TC 2 Tahoe		To TC 3 Truckee		DISTANCE:	DAY:
				52.78 Mi	1
				AVERAGE:	TIME ALLOWED:
				28.79 mph	110 min
DISTANCE		DIRECTION	INFORMATION	DISTANCE REGRESS	
TOTAL	PARTIAL				
32.47	16.73		 Straight at NV State Line	20,31	
40.08	7.61		 Exit Hwy 80	12,70	
40.26	0.18		Merge onto 4th St. along Truckee River	12,52	
41.62	1.36		 Mayberry Ave	11,16	
43.31	1.69		Straight	9,47	
45.37	2.06		 Straight	7,41	
46.01	0.64		 Right at Casinos	6,77	
	0.34				

PROXIMA NOTA
PROCH NOTE
NEXT NOTE

From TC 2 Tahoe		DISTANCE: 52.78 Mi		DAY: 1	
To TC 3 Truckee		AVERAGE: 28.79 mph		SECTION: 1	
		TIME ALLOWED: 110 min			
DISTANCE		DIRECTION	INFORMATION	DISTANCE REGRESS	
TOTAL	PARTIAL				
46.35	0.34	 37	Straight across Truckee River	6,43	
46.59	0.24	 38	Left	6,19	
46.67	0.08	 39	45 Right	6,11	
46.67	0.00	 40	Right	6,11	
47.86	1.19	 41	Straight Plumb Lane	4,92	
48.90	1.04	 42	  Straight Moana Lane	3,88	
51.46	2.56	 43	 Straight	1,32	

From TC 2 Tahoe		DISTANCE: 52.78 Mi		DAY: 1
To TC 3 Truckee		AVERAGE: 28.79 mph		SECTION: 1
				TIME ALLOWED: 110 min
DISTANCE		DIRECTION	INFORMATION	DISTANCE REGRESS
TOTAL	PARTIAL			
52.78	1.32	 <div style="border: 1px solid black; padding: 2px; width: 20px; margin: 5px auto;">44</div>	<div style="display: flex; flex-direction: column; align-items: center;"> <div style="display: flex; align-items: center; margin-bottom: 10px;"> <div style="border: 1px solid black; border-radius: 50%; padding: 2px 5px; margin-right: 5px;">STOP</div> <div>Custom Text</div> </div> <div style="margin-bottom: 10px;">  </div> <div style="margin-bottom: 10px;">  </div> <div style="border: 1px solid black; padding: 2px; font-size: 8px;"> N-039°26.366 W-119°46.201 ALT: 4504 ft </div> </div>	0,00