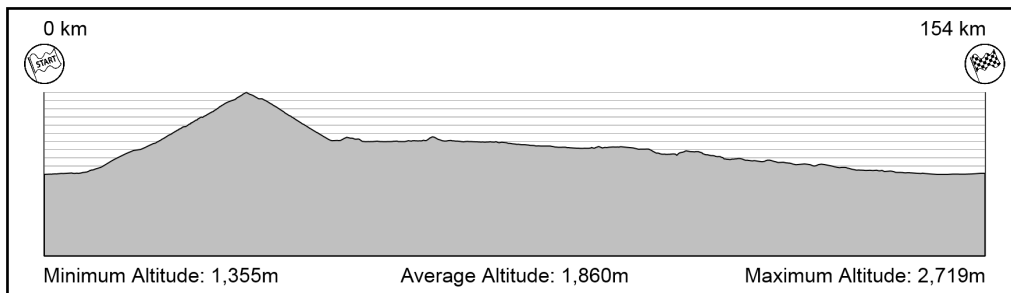




**Reno Tahoe Rally**

<b>154 Km</b>	Transit 1	2,68 Km
<b>44 Waypoints</b>	Special Stage 1	43,04 Km
	Transit 2	22,41 Km
	Special Stage 2	21,33 Km
<b>99 Km Fuel Range</b>	Transit 3	63,51 Km
	-----	
	Total Transit	88,60 Km
	Total Special	64,37 Km
	Total Segment	153,50 Km






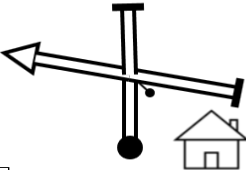

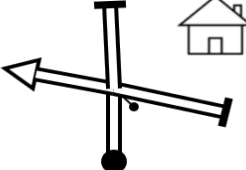

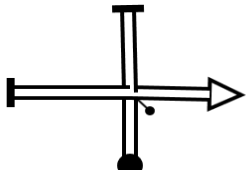

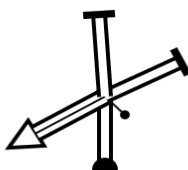


<b>Start:</b> 9482, Double Diamond Parkway, Reno, Washoe County, Nevada, United States, 89521	<b>Finish:</b> 9921-9999, South Virginia Street, Reno, Washoe County, Nevada, United States, 89511
--	---

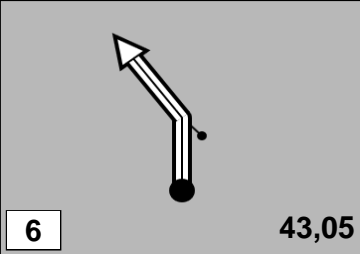

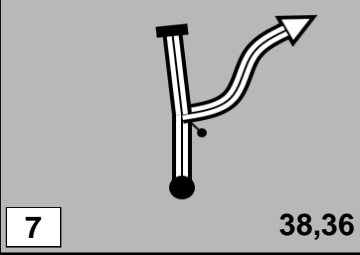

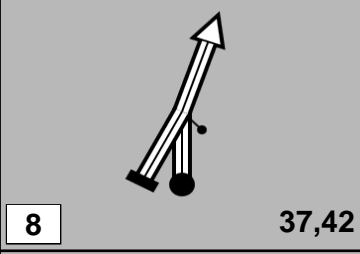
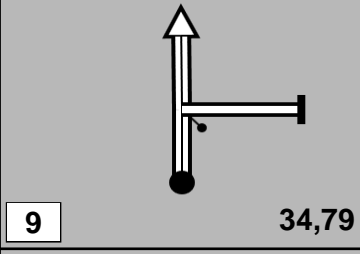
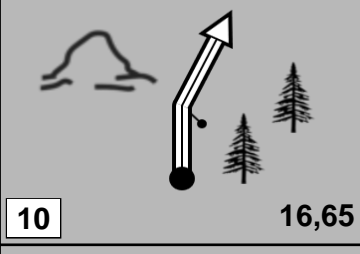


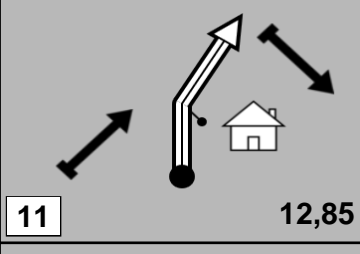
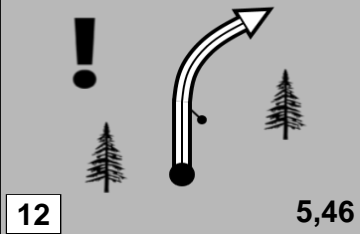
**WARNING!!!**



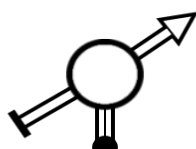


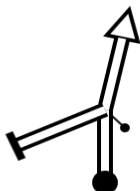
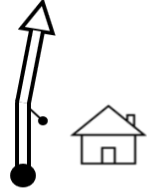







**This route may be dangerous. Follow this route at your own risk.**

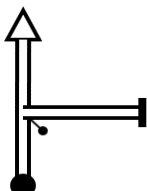


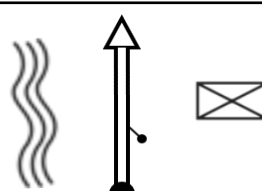


Conditions change over time. Route leads to remote areas many miles from help. This is not a "closed" course. The route crosses and travels on public roads and highways where other vehicles, pedestrians, and animals may be present. Some hazards are identified here, for illustration purposes only, but most hazards are not identified or marked. Information provided is approximate, and should not be considered precise. Obey all laws and use caution at all times. If signs, maps, or other indicators suggest the route travels into closed, illegal, private property, or otherwise restricted areas, this roadbook should not be followed into such areas.

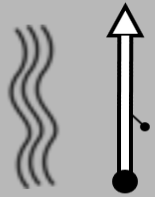



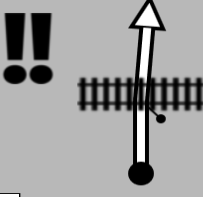
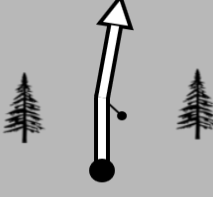

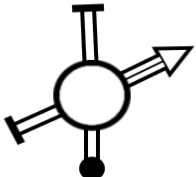



**Rally Navigator is not responsible for the accuracy or safety of this route.**

From TC 0 Double Diamond		DISTANCE: <b>2,68 Km</b>		DAY: <b>1</b>
To TC 1 Double Diamond		AVERAGE: <b>16.08 kph</b>		SECTION: <b>1</b>
		TIME ALLOWED: <b>10 min</b>		
DISTANCE		DIRECTION	INFORMATION	DISTANCE REGRESS
TOTAL	PARTIAL			
0,00	0,00	 1	 <b>TC 0</b> Double Diamond  N-39°26.711 W-119°44.865 ALT: 1356 m	2,68
0,09	0,09	 2	 Left	2,60
1,21	1,12	 3	 Left	1,47
1,95	0,74	 4	 Right	0,73
2,68	0,73	 5	 <b>TC 1</b> Reno (0,12)  N-39°26.368 W-119°46.016 ALT: 1371 m	0,00



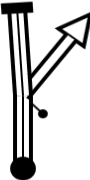
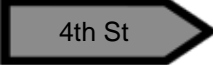
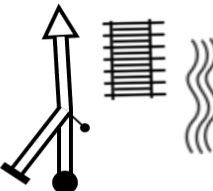

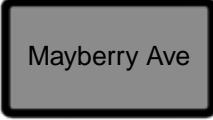


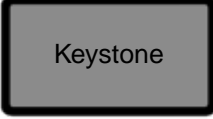
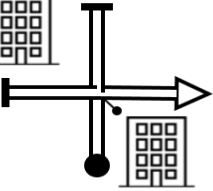
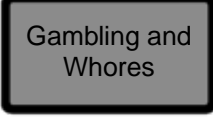
From TC 1 Reno		DISTANCE:		DAY:	1
To TC 2 Reno		65,56 Km		SECTION:	1
SPECIAL STAGE <b>Mt Rose</b>			1 43,05 Km	RECORD: Revised Route	TIME ALLOWED: 80 min
DISTANCE		DIRECTION	INFORMATION	DISTANCE REGRESS	
TOTAL	PARTIAL				
0,00	0,00		 <b>START SS 1</b> Mt Rose 43,05 Km	65,56	
4,68	4,68		 <b>Right onto Mt Rose Hwy</b>	60,87	
5,62	0,94		<b>Merge onto Mt Rose Hwy</b>	59,94	
8,26	2,63		<b>Straight</b>	57,30	
26,40	18,14		  <b>Mt Rose ski Resort</b>	39,16	
30,20	3,80		<b>Mt Rose Summit - 8900 ft.</b>	35,36	
37,59	7,39		<b>Overlook on Left</b>	27,97	

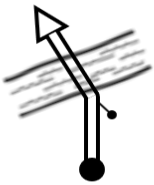
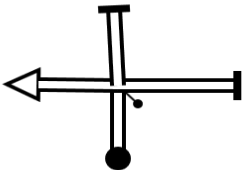
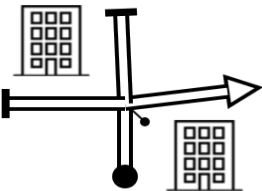
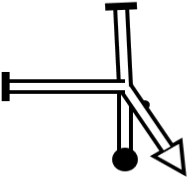
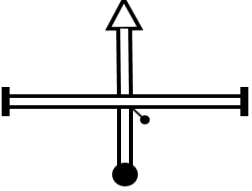
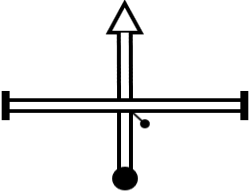


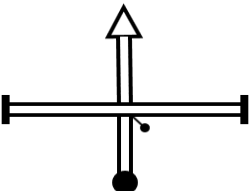

From TC 1 Reno		DISTANCE:		DAY:	1
To TC 2 Reno		65,56 Km		SECTION:	1
SPECIAL STAGE <b>Mt Rose</b>			1 43,05 Km	RECORD: Revised Route	TIME ALLOWED: 80 min
DISTANCE		DIRECTION	INFORMATION	DISTANCE REGRESS	
TOTAL	PARTIAL				
43,04	5,46	 13 0,0	 <b>FINISH</b> <b>SS 1</b> Mt Rose 43,05 Km	22,52	
43,20	0,16	 14	 <b>45</b> Right  N-39°15.097 W-119°58.385 ALT: 1963 m	22,35	
44,05	0,84	 15	Past Lakeshore Dr.	21,51	
47,78	3,73	 16	Past CA/NV Stateline Casino	17,78	
49,63	1,85	 17	Straight	15,93	
49,88	0,25	 18	Straight	15,68	
49,97	0,09	 19	    N-39°14.232 W-120°1.528 ALT: 1901 m	15,59	

From TC 1 Reno		DISTANCE:		DAY:	1			
To TC 2 Reno		<b>65,56 Km</b>		SECTION:	1			
		AVERAGE:		TIME ALLOWED:				
		<b>393.36 kph</b>		<b>10 min</b>				
DISTANCE		DIRECTION	INFORMATION	DISTANCE REGRESS				
TOTAL	PARTIAL							
50,50	0,53	 <div style="border: 1px solid black; padding: 2px; width: 20px; float: left; margin-right: 5px;">20</div>	 Straight	15,06				
65,33	14,83	 <div style="border: 1px solid black; padding: 2px; width: 20px; float: left; margin-right: 5px;">21</div>	Stay right	0,23				
65,56	0,23	 <div style="border: 1px solid black; padding: 2px; width: 20px; float: left; margin-right: 5px;">22</div>	 <b>TC 2</b> Tahoe (0,13)  <table border="1" style="font-size: small;"> <tr><td>N-39°9.969</td></tr> <tr><td>W-120°8.816</td></tr> <tr><td>ALT: 1900 m</td></tr> </table>	N-39°9.969	W-120°8.816	ALT: 1900 m	0,00	
N-39°9.969								
W-120°8.816								
ALT: 1900 m								





From TC 2 Tahoe		DISTANCE:		DAY:	1
To TC 3 Tahoe		85,16 Km		SECTION:	1
SPECIAL STAGE <b>Ski Hill</b>			2 21,25 Km	RECORD: Revised Route	TIME ALLOWED: <b>110 min</b>
DISTANCE		DIRECTION	INFORMATION	DISTANCE REGRESS	
TOTAL	PARTIAL				
0,00	0,00	 23 21,25	 START SS 2 Ski Hill 21,25 Km	85,16	
5,70	5,70	 24 15,55	Alpine Meadows	79,46	
7,89	2,19	 25 13,36	Squaw Valley	77,27	
20,91	13,03	 26 0,34	Train Tracks	64,24	
21,25	0,34	 27 0,0	 FINISH SS 2 Ski Hill 21,25 Km	63,90	
21,42	0,17	 28	 Onto Hwy 80  N-39°19.325 W-120°12.460 ALT: 1793 m	63,73	
25,34	3,91	 29	Straight on HWY	59,82	

2

From TC 2 Tahoe		DISTANCE:		DAY:	1
To TC 3 Tahoe		85,16 Km		SECTION:	1
		AVERAGE:		TIME ALLOWED:	
		510.96 kph		10 min	
DISTANCE		DIRECTION	INFORMATION	DISTANCE	
TOTAL	PARTIAL			REGRESS	
52,26	26,92	 30	 Straight at NV State Line	32,90	
64,50	12,24	 31	 Exit Hwy 80	20,66	
64,79	0,29	 32	Merge onto 4th St. along Truckee River	20,37	
66,98	2,19	 33	 Mayberry Ave	18,18	
69,70	2,72	 34	Straight	15,46	
73,02	3,32	 35	 Straight	12,14	
74,05	1,03	 36	 Right at Casinos	11,11	

From TC 2 Tahoe		DISTANCE:		DAY:	1
To TC 3 Tahoe		85,16 Km		SECTION:	1
		AVERAGE:		TIME ALLOWED:	
		510.96 kph		10 min	
DISTANCE		DIRECTION	INFORMATION	DISTANCE REGRESS	
TOTAL	PARTIAL				
74,60	0,55	 37	Straight across Truckee River		10,56
74,99	0,39	 38	Left		10,17
75,10	0,12	 39	45 Right		10,05
75,10	0,00	 40	Right		10,05
77,24	2,14	 41	Straight Plumb Lane		7,92
78,92	1,68	 42	  Straight Moana Lane		6,23
83,04	4,12	 43	 Straight		2,12



From TC 2 Tahoe		DISTANCE:		DAY:	1			
To TC 3 Tahoe		85,16 Km		SECTION:	1			
		AVERAGE:		TIME ALLOWED:				
		510.96 kph		10 min				
DISTANCE		DIRECTION		INFORMATION				
TOTAL	PARTIAL			DISTANCE REGRESS				
85,16	2,12			 <b>TC 3</b> Truckee  (0,0)  <table border="1"> <tr><td>N-39°26.366</td></tr> <tr><td>W-119°46.201</td></tr> <tr><td>ALT: 1373 m</td></tr> </table>		N-39°26.366	W-119°46.201	ALT: 1373 m
N-39°26.366								
W-119°46.201								
ALT: 1373 m								
		44		0,00				