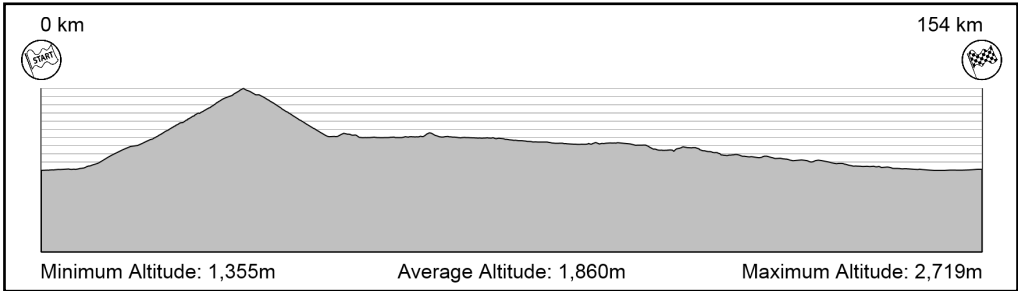




Reno Tahoe Rally

| | | |
|-----------------------------|-----------------|-----------|
| 154 Km | Transit 1 | 2,68 Km |
| | Special Stage 1 | 43,04 Km |
| | Transit 2 | 22,41 Km |
| 44 Waypoints | Special Stage 2 | 21,33 Km |
| | Transit 3 | 63,51 Km |
| | ----- | |
| 99 Km Fuel Range | Total Transit | 88,60 Km |
| | Total Special | 64,37 Km |
| | Total Segment | 153,50 Km |






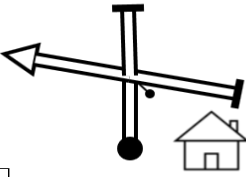

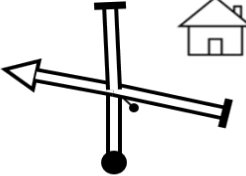

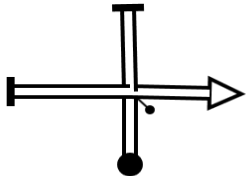

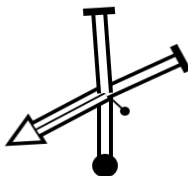


| | |
|--|---|
| Start: 9482, Double Diamond Parkway, Reno, Washoe County, Nevada, United States, 89521 | Finish: 9921-9999, South Virginia Street, Reno, Washoe County, Nevada, United States, 89511 |
|--|---|

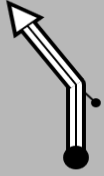

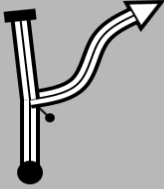


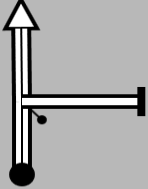



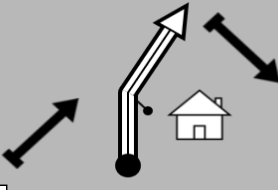
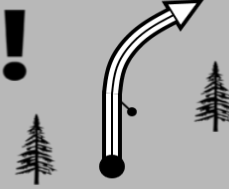


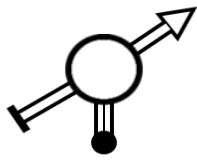



WARNING!!!

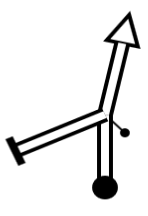
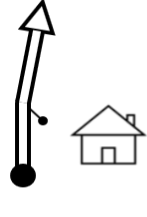
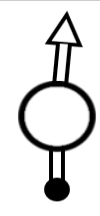
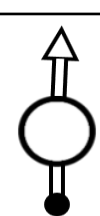
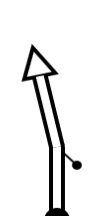




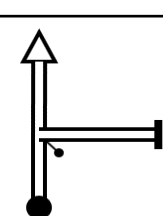


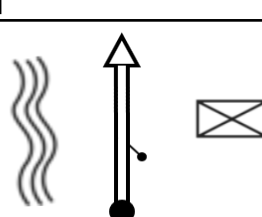


This route may be dangerous. Follow this route at your own risk.












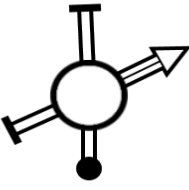





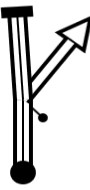

Conditions change over time. Route leads to remote areas many miles from help. This is not a "closed" course. The route crosses and travels on public roads and highways where other vehicles, pedestrians, and animals may be present. Some hazards are identified here, for illustration purposes only, but most hazards are not identified or marked. Information provided is approximate, and should not be considered precise. Obey all laws and use caution at all times. If signs, maps, or other indicators suggest the route travels into closed, illegal, private property, or otherwise restricted areas, this roadbook should not be followed into such areas.

Rally Navigator is not responsible for the accuracy or safety of this route.

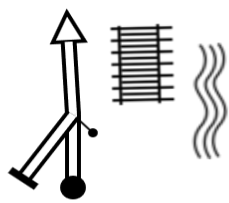


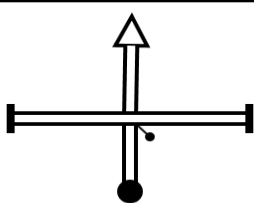
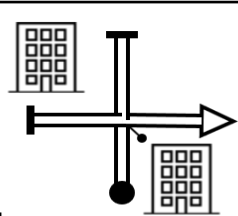
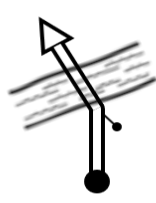
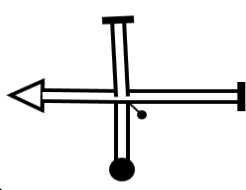
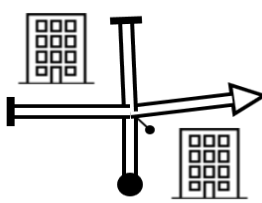
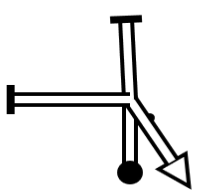
| From TC 0 Double Diamond | | DISTANCE: 2,68 Km | | DAY: 1 | | | |
|--------------------------|---------|--|--|-------------------|--------------|-------------|------|
| To TC 1 Double Diamond | | AVERAGE: 16.08 kph | | SECTION: 1 | | | |
| | | TIME ALLOWED: 10 min | | | | | |
| DISTANCE | | DIRECTION | INFORMATION | DISTANCE REGRESS | | | |
| TOTAL | PARTIAL | | | | | | |
| 0,00 | 0,00 |  1 |  TC 0 Double Diamond  <table border="1" data-bbox="836 443 966 524"> <tr><td>N-39°26.711</td></tr> <tr><td>W-119°44.865</td></tr> <tr><td>ALT: 1356 m</td></tr> </table> | N-39°26.711 | W-119°44.865 | ALT: 1356 m | 2,68 |
| N-39°26.711 | | | | | | | |
| W-119°44.865 | | | | | | | |
| ALT: 1356 m | | | | | | | |
| 0,09 | 0,09 |  2 |  Left | 2,60 | | | |
| 1,21 | 1,12 |  3 |  Left | 1,47 | | | |
| 1,95 | 0,74 |  4 |  Right | 0,73 | | | |
| 2,68 | 0,73 |  5 |  TC 1 Reno (0,12)  <table border="1" data-bbox="836 1464 966 1545"> <tr><td>N-39°26.368</td></tr> <tr><td>W-119°46.016</td></tr> <tr><td>ALT: 1371 m</td></tr> </table> | N-39°26.368 | W-119°46.016 | ALT: 1371 m | 0,00 |
| N-39°26.368 | | | | | | | |
| W-119°46.016 | | | | | | | |
| ALT: 1371 m | | | | | | | |

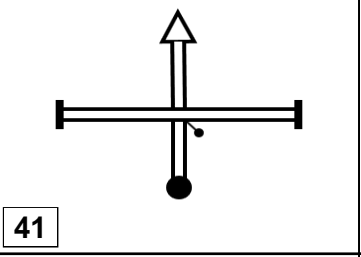
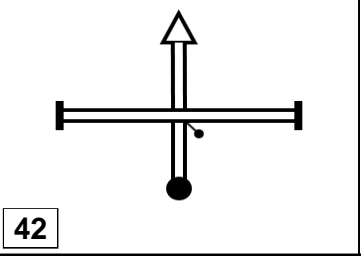


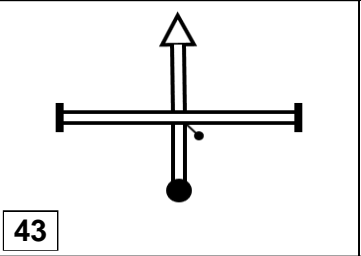

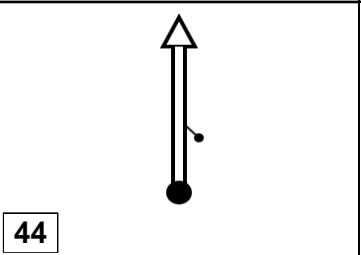



| From TC 1 Reno | | To TC 2 Reno | | DISTANCE: | 65,56 Km | DAY: | 1 |
|----------------|---------|--|--|------------------|----------------------|---------------|---------------|
| SPECIAL STAGE | | 1 | | RECORD: | Revised Route | TIME ALLOWED: | 80 min |
| Mt Rose | | 43,05 Km | | | | | |
| DISTANCE | | DIRECTION | INFORMATION | DISTANCE REGRESS | | | |
| TOTAL | PARTIAL | | | | | | |
| 0,00 | 0,00 |  6 43,05 |  START SS 1 Mt Rose 43,05 Km | 65,56 | | | |
| 4,68 | 4,68 |  7 38,36 |  Mt Rose Right onto Mt Rose Hwy | 60,87 | | | |
| 5,62 | 0,94 |  8 37,42 | Merge onto Mt Rose Hwy | 59,94 | | | |
| 8,26 | 2,63 |  9 34,79 | Straight | 57,30 | | | |
| 26,40 | 18,14 |  10 16,65 |   Mt Rose ski Resort | 39,16 | | | |
| 30,20 | 3,80 |  11 12,85 | Mt Rose Summit - 8900 ft. | 35,36 | | | |
| 37,59 | 7,39 |  12 5,46 | Overlook on Left | 27,97 | | | |
| 43,04 | 5,46 |  13 0,0 |  FINISH SS 1 Mt Rose 43,05 Km | 22,52 | | | |
| 43,20 | 0,16 |  14 |   Right  N-39°15.097 W-119°58.385 ALT: 1963 m | 22,35 | | | |

| From TC 1 Reno | | DISTANCE: | | DAY: | 1 |
|----------------|---------|---|---|------------------|---|
| To TC 2 Reno | | 65,56 Km | | SECTION: | 1 |
| | | AVERAGE: | | TIME ALLOWED: | |
| | | 393.36 kph | | 10 min | |
| DISTANCE | | DIRECTION | INFORMATION | DISTANCE REGRESS | |
| TOTAL | PARTIAL | | | | |
| 44,05 | 0,84 |  15 | Past Lakeshore Dr. | 21,51 | |
| 47,78 | 3,73 |  16 | Past CA/NV Stateline Casino | 17,78 | |
| 49,63 | 1,85 |  17 | Straight | 15,93 | |
| 49,88 | 0,25 |  18 | Straight | 15,68 | |
| 49,97 | 0,09 |  19 |     N-39°14.232 W-120°1.528 ALT: 1901 m | 15,59 | |
| 50,50 | 0,53 |  20 |  Straight | 15,06 | |
| 65,33 | 14,83 |  21 | Stay right | 0,23 | |
| 65,56 | 0,23 |  22 |  TC 2 Tahoe (0,13)  N-39°9.969 W-120°8.816 ALT: 1900 m | 0,00 | |

| From TC 2 Tahoe | | DISTANCE: | | DAY: 1 |
|--------------------------|---------|--|--|------------------------------|
| To TC 3 Tahoe | | 85,16 Km | | SECTION: 1 |
| SPECIAL STAGE 2 | | RECORD: Revised Route | | TIME ALLOWED: 110 min |
| Ski Hill 21,25 Km | | | | |
| DISTANCE | | DIRECTION | INFORMATION | DISTANCE REGRESS |
| TOTAL | PARTIAL | | | |
| 0,00 | 0,00 |   23 21,25 |  START SS 2 Ski Hill 21,25 Km | 85,16 |
| 5,70 | 5,70 |  24 15,55 | Alpine Meadows | 79,46 |
| 7,89 | 2,19 |  25 13,36 | Squaw Valley | 77,27 |
| 20,91 | 13,03 |    26 0,34 | Train Tracks | 64,24 |
| 21,25 | 0,34 |   27 0,0 |  FINISH SS 2 Ski Hill 21,25 Km | 63,90 |
| 21,42 | 0,17 |  28 |  Onto Hwy 80  N-39°19.325 W-120°12.460 ALT: 1793 m | 63,73 |
| 25,34 | 3,91 |  29 | Straight on HWY | 59,82 |
| 52,26 | 26,92 |  30 |  Straight at NV State Line | 32,90 |
| 64,50 | 12,24 |  31 |  Exit Hwy 80 | 20,66 |

2

| From TC 2 Tahoe | | DISTANCE: | | DAY: | 1 |
|-----------------|---------|---|--|---------------|---|
| To TC 3 Tahoe | | 85,16 Km | | SECTION: | 1 |
| | | AVERAGE: | | TIME ALLOWED: | |
| | | 510.96 kph | | 10 min | |
| DISTANCE | | DIRECTION | INFORMATION | DISTANCE | |
| TOTAL | PARTIAL | | | REGRESS | |
| 64,79 | 0,29 |  32 | Merge onto 4th St. along Truckee River | 20,37 | |
| 66,98 | 2,19 |  33 | Mayberry Ave | 18,18 | |
| 69,70 | 2,72 |  34 | Straight | 15,46 | |
| 73,02 | 3,32 |  35 | Keystone Straight | 12,14 | |
| 74,05 | 1,03 |  36 | Gambling and Whores Right at Casinos | 11,11 | |
| 74,60 | 0,55 |  37 | Straight across Truckee River | 10,56 | |
| 74,99 | 0,39 |  38 | Left | 10,17 | |
| 75,10 | 0,12 |  39 | 45 Right | 10,05 | |
| 75,10 | 0,00 |  40 | Right | 10,05 | |

| From TC 2 Tahoe | | DISTANCE: | | DAY: | 1 |
|-----------------|---------|---|--|---------------|---|
| To TC 3 Tahoe | | 85,16 Km | | SECTION: | 1 |
| | | AVERAGE: | | TIME ALLOWED: | |
| | | 510.96 kph | | 10 min | |
| DISTANCE | | DIRECTION | INFORMATION | DISTANCE | |
| TOTAL | PARTIAL | | | REGRESS | |
| 77,24 | 2,14 |  | Straight Plumb Lane | 7,92 | |
| 78,92 | 1,68 |  |   Straight Moana Lane | 6,23 | |
| 83,04 | 4,12 |  |  Straight | 2,12 | |
| 85,16 | 2,12 |  |  TC 3 Truckee  (0,0)  N-39°26.366 W-119°46.201 ALT: 1373 m | 0,00 | |