



## Reno Tahoe Rally

**154  
Km**

**44  
Waypoints**

**99 Km  
Fuel Range**

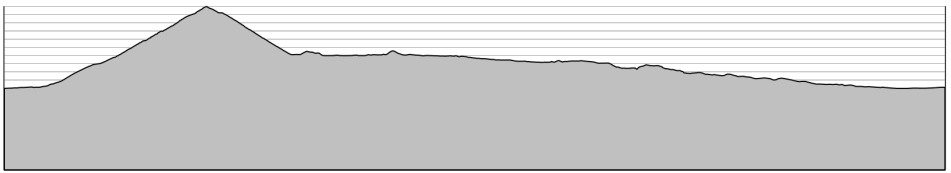
Transit 1	2,68 Km
Special Stage 1	43,04 Km
Transit 2	22,41 Km
Special Stage 2	21,33 Km
Transit 3	63,51 Km

---

Total Transit	88,60 Km
Total Special	64,37 Km
Total Segment	153,50 Km

0 km

154 km



Minimum Altitude: 1,355m

Average Altitude: 1,860m

Maximum Altitude: 2,719m

**Start:**  
9482, Double Diamond Parkway, Reno,  
Washoe County, Nevada, United States,  
89521

**Finish:**  
9921-9999, South Virginia Street, Reno,  
Washoe County, Nevada, United States,  
89511




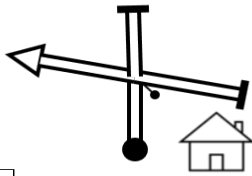

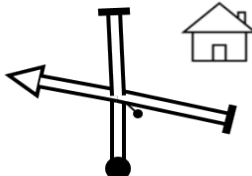

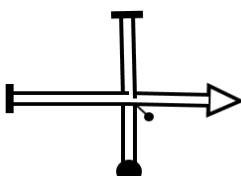

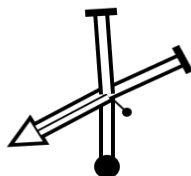


## **WARNING!!!**

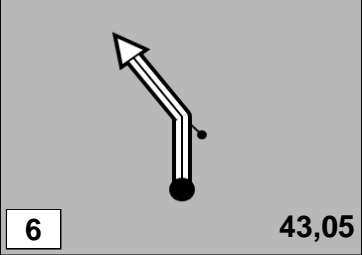

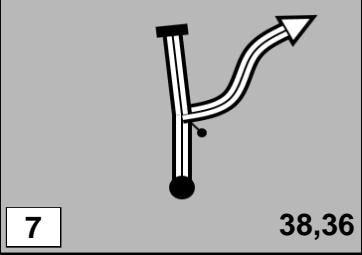

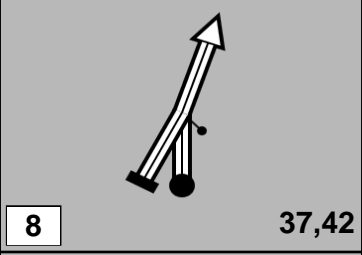
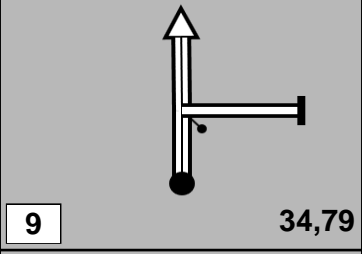
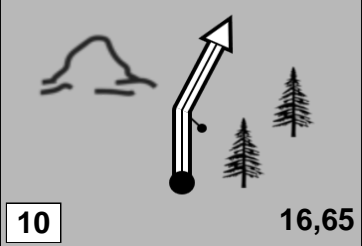


**This route may be dangerous. Follow this route at your own risk.**

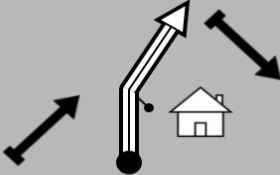



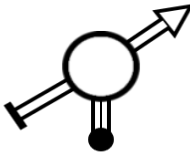




Conditions change over time. Route leads to remote areas many miles from help. This is not a "closed" course.

The route crosses and travels on public roads and highways where other vehicles, pedestrians, and animals may be present. Some hazards are identified here, for illustration purposes only, but most hazards are not identified or marked. Information provided is approximate, and should not be considered precise. Obey all laws and use caution at all times. If signs, maps, or other indicators suggest the route travels into closed, illegal, private property, or otherwise restricted areas, this roadbook should not be followed into such areas.








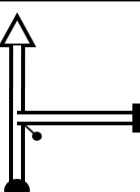

**Rally Navigator is not responsible for the accuracy or safety of this route.**

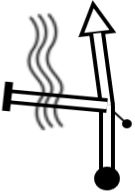
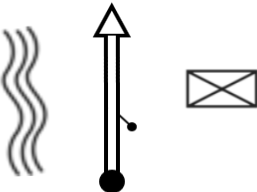


From TC 0 Double Diamond		DISTANCE: <b>2,68 Km</b>		DAY: <b>1</b>	
To TC 1 Double Diamond		AVERAGE: <b>16.08 kph</b>		SECTION: <b>1</b>	
				TIME ALLOWED: <b>10 min</b>	
DISTANCE		DIRECTION	INFORMATION	DISTANCE REGRESS	
TOTAL	PARTIAL				
0,00	0,00	<div style="text-align: center;">   <span style="border: 1px solid black; padding: 2px;">1</span> </div>	<div style="display: flex; align-items: center;">  <div> <p><b>TC 0</b> Double Diamond</p> <div style="border: 1px solid black; padding: 2px; margin-top: 5px;"> <p>N-39°26.711 W-119°44.865 ALT: 1356 m</p> </div>  </div> </div>	<b>2,68</b>	
0,09	0,09	<div style="text-align: center;">   <span style="border: 1px solid black; padding: 2px;">2</span> </div>	<div style="display: flex; align-items: center;">  <div> <p>Left</p> </div> </div>	<b>2,60</b>	
1,21	1,12	<div style="text-align: center;">   <span style="border: 1px solid black; padding: 2px;">3</span> </div>	<div style="display: flex; align-items: center;">  <div> <p>Left</p> </div> </div>	<b>1,47</b>	
1,95	0,74	<div style="text-align: center;">   <span style="border: 1px solid black; padding: 2px;">4</span> </div>	<div style="display: flex; align-items: center;">  <div> <p>Right</p> </div> </div>	<b>0,73</b>	
2,68	0,73	<div style="text-align: center;">   <span style="border: 1px solid black; padding: 2px;">5</span> </div>	<div style="display: flex; align-items: center;">  <div> <p><b>TC 1</b> Reno</p> <p>(0,12)</p> <div style="border: 1px solid black; padding: 2px; margin-top: 5px;"> <p>N-39°26.368 W-119°46.016 ALT: 1371 m</p> </div>  </div> </div>	<b>0,00</b>	

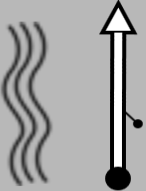



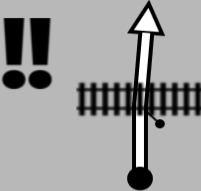
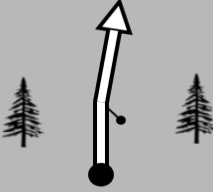

From TC 1 Reno		DISTANCE: <b>65,56 Km</b>		DAY: <b>1</b>
To TC 2 Reno				SECTION: <b>1</b>
SPECIAL STAGE <b>Mt Rose</b>		<b>1</b> 43,05 Km	RECORD: <b>Revised Route</b>	TIME ALLOWED: <b>80 min</b>
DISTANCE		DIRECTION	INFORMATION	DISTANCE REGRESS
TOTAL	PARTIAL			
0,00	0,00	 43,05	 <b>START</b> <b>SS 1</b> Mt Rose 43,05 Km	65,56
4,68	4,68	 38,36	 <b>Right onto Mt Rose Hwy</b>	60,87
5,62	0,94	 37,42	<b>Merge onto Mt Rose Hwy</b>	59,94
8,26	2,63	 34,79	<b>Straight</b>	57,30
26,40	18,14	 16,65	  <b>Mt Rose ski Resort</b>	39,16

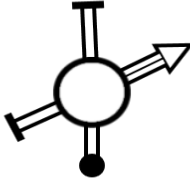




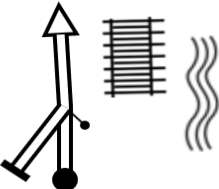
From TC 1 Reno		DISTANCE: <b>65,56 Km</b>		DAY: <b>1</b>			
To TC 2 Reno				SECTION: <b>1</b>			
SPECIAL STAGE <b>Mt Rose</b>		<b>1</b> 43,05 Km	RECORD: <b>Revised Route</b>	TIME ALLOWED: <b>80 min</b>			
DISTANCE		DIRECTION	INFORMATION	DISTANCE REGRESS			
TOTAL	PARTIAL						
30,20	3,80	 11 12,85	Mt Rose Summit - 8900 ft.	35,36			
37,59	7,39	 12 5,46	Overlook on Left	27,97			
43,04	5,46	 13 0,0	 FINISH SS 1 Mt Rose 43,05 Km	22,52			
43,20	0,16	 14	  Right <table border="1" data-bbox="840 1220 968 1300"> <tr><td>N-39°15.097</td></tr> <tr><td>W-119°58.385</td></tr> <tr><td>ALT: 1963 m</td></tr> </table> 	N-39°15.097	W-119°58.385	ALT: 1963 m	22,35
N-39°15.097							
W-119°58.385							
ALT: 1963 m							
44,05	0,84	 15	Past Lakeshore Dr.	21,51			

1



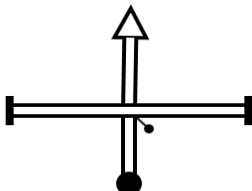
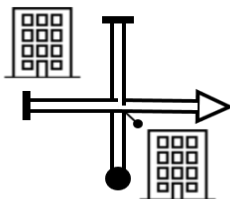
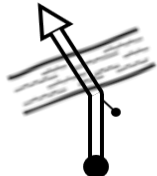
From TC 1 Reno		DISTANCE: <b>65,56 Km</b>		DAY: <b>1</b>
To TC 2 Reno		AVERAGE: <b>393.36 kph</b>		SECTION: <b>1</b>
				TIME ALLOWED: <b>10 min</b>
DISTANCE		DIRECTION	INFORMATION	DISTANCE REGRESS
TOTAL	PARTIAL			
47,78	3,73	 <div style="border: 1px solid black; padding: 2px; display: inline-block;">16</div>	Past CA/NV Stateline Casino	17,78
49,63	1,85	 <div style="border: 1px solid black; padding: 2px; display: inline-block;">17</div>	Straight	15,93
49,88	0,25	 <div style="border: 1px solid black; padding: 2px; display: inline-block;">18</div>	Straight	15,68
49,97	0,09	 <div style="border: 1px solid black; padding: 2px; display: inline-block;">19</div>	   <div style="border: 1px solid black; padding: 2px; display: inline-block; margin-left: 20px;">       N-39°14.232        W-120°1.528        ALT: 1901 m     </div>	15,59
50,50	0,53	 <div style="border: 1px solid black; padding: 2px; display: inline-block;">20</div>	 Straight	15,06

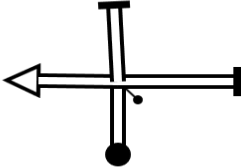
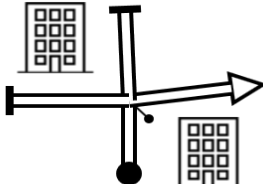
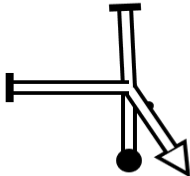
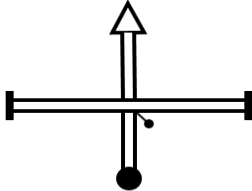
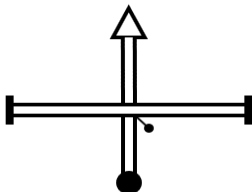


From TC 1 Reno		DISTANCE: <b>65,56 Km</b>		DAY: <b>1</b>
To TC 2 Reno		AVERAGE: <b>393.36 kph</b>		SECTION: <b>1</b>
				TIME ALLOWED: <b>10 min</b>
DISTANCE		DIRECTION	INFORMATION	DISTANCE REGRESS
TOTAL	PARTIAL			
<b>65,33</b>	<b>14,83</b>	 <div style="border: 1px solid black; padding: 2px; display: inline-block;">21</div>	<p style="text-align: center;"><b>Stay right</b></p>	<b>0,23</b>
<b>65,56</b>	<b>0,23</b>	 <div style="border: 1px solid black; padding: 2px; display: inline-block;">22</div>	<div style="display: flex; align-items: center;">  <div> <p><b>TC 2</b> Tahoe</p> <p>(0,13)</p> <div style="border: 1px solid black; padding: 2px; display: inline-block;"> N-39°9.969  W-120°8.816  ALT: 1900 m </div> </div> </div> <div style="text-align: right; margin-top: 10px;">  </div>	<b>0,00</b>

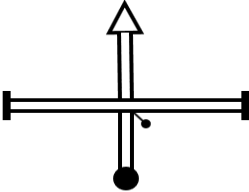





From TC <b>2 Tahoe</b>		DISTANCE: <b>85,16 Km</b>		DAY: <b>1</b>	
To TC <b>3 Tahoe</b>		RECORD: <b>Revised Route</b>		SECTION: <b>1</b>	
SPECIAL STAGE <b>Ski Hill</b>		<b>2</b> 21,25 Km		TIME ALLOWED: <b>110 min</b>	
DISTANCE		DIRECTION	INFORMATION	DISTANCE REGRESS	
TOTAL	PARTIAL				
0,00	0,00	 23 21,25	 <b>START</b> <b>SS 2</b> Ski Hill 21,25 Km	85,16	
5,70	5,70	 24 15,55	<b>Alpine Meadows</b>	79,46	
7,89	2,19	 25 13,36	<b>Squaw Valley</b>	77,27	
20,91	13,03	 26 0,34	<b>Train Tracks</b>	64,24	
21,25	0,34	 27 0,0	 <b>FINISH</b> <b>SS 2</b> Ski Hill 21,25 Km	63,90	

From TC <b>2 Tahoe</b>		DISTANCE: <b>85,16 Km</b>		DAY: <b>1</b>			
To TC <b>3 Tahoe</b>		AVERAGE: <b>510.96 kph</b>		SECTION: <b>1</b>			
		TIME ALLOWED: <b>10 min</b>					
DISTANCE		DIRECTION	INFORMATION	DISTANCE REGRESS			
TOTAL	PARTIAL						
21,42	0,17	 <div style="border: 1px solid black; padding: 2px; display: inline-block;">28</div>	<div style="border: 1px solid black; border-radius: 50%; width: 40px; height: 40px; display: flex; align-items: center; justify-content: center; margin-bottom: 10px;">STOP</div> <p style="text-align: center;">Onto Hwy 80</p> <div style="display: flex; align-items: center; justify-content: center;">  <table border="1" style="font-size: 8px; border-collapse: collapse;"> <tr><td>N-39°19.325</td></tr> <tr><td>W-120°12.460</td></tr> <tr><td>ALT: 1793 m</td></tr> </table> </div>	N-39°19.325	W-120°12.460	ALT: 1793 m	<b>63,73</b>
N-39°19.325							
W-120°12.460							
ALT: 1793 m							
25,34	3,91	 <div style="border: 1px solid black; padding: 2px; display: inline-block;">29</div>	Straight on HWY	<b>59,82</b>			
52,26	26,92	 <div style="border: 1px solid black; padding: 2px; display: inline-block;">30</div>	<div style="border: 1px solid black; background-color: #ccc; padding: 5px; text-align: center; margin-bottom: 5px;">Welcome Nevada</div> <p style="text-align: center;">Straight at NV State Line</p>	<b>32,90</b>			
64,50	12,24	 <div style="border: 1px solid black; padding: 2px; display: inline-block;">31</div>	<div style="border: 1px solid black; background-color: #ccc; padding: 5px; text-align: center; margin-bottom: 5px;">4th St</div> <p style="text-align: center;">Exit Hwy 80</p>	<b>20,66</b>			
64,79	0,29	 <div style="border: 1px solid black; padding: 2px; display: inline-block;">32</div>	Merge onto 4th St. along Truckee River	<b>20,37</b>			



From TC 2 Tahoe		DISTANCE:		DAY:	1
To TC 3 Tahoe		85,16 Km		SECTION:	1
		AVERAGE:		TIME ALLOWED:	
		510.96 kph		10 min	
DISTANCE		DIRECTION	INFORMATION	DISTANCE REGRESS	
TOTAL	PARTIAL				
66,98	2,19	 <span style="border: 1px solid black; padding: 2px;">33</span>	<div style="border: 2px solid black; background-color: #cccccc; padding: 10px; width: fit-content; margin: 0 auto;">Mayberry Ave</div>	18,18	
69,70	2,72	 <span style="border: 1px solid black; padding: 2px;">34</span>	Straight	15,46	
73,02	3,32	 <span style="border: 1px solid black; padding: 2px;">35</span>	<div style="border: 2px solid black; background-color: #cccccc; padding: 10px; width: fit-content; margin: 0 auto;">Keystone</div> Straight	12,14	
74,05	1,03	 <span style="border: 1px solid black; padding: 2px;">36</span>	<div style="border: 2px solid black; background-color: #cccccc; padding: 10px; width: fit-content; margin: 0 auto;">Gambling and Whores</div> Right at Casinos	11,11	
74,60	0,55	 <span style="border: 1px solid black; padding: 2px;">37</span>	Straight across Truckee River	10,56	

From TC 2 Tahoe		DISTANCE: <b>85,16 Km</b>		DAY: <b>1</b>	
To TC 3 Tahoe		AVERAGE: <b>510.96 kph</b>		SECTION: <b>1</b>	
				TIME ALLOWED: <b>10 min</b>	
DISTANCE		DIRECTION	INFORMATION	DISTANCE REGRESS	
TOTAL	PARTIAL				
74,99	0,39	 <span style="border: 1px solid black; padding: 2px;">38</span>	Left	10,17	
75,10	0,12	 <span style="border: 1px solid black; padding: 2px;">39</span>	<span style="border: 1px solid black; border-radius: 50%; padding: 5px; display: inline-block; text-align: center;">45</span> Right	10,05	
75,10	0,00	 <span style="border: 1px solid black; padding: 2px;">40</span>	Right	10,05	
77,24	2,14	 <span style="border: 1px solid black; padding: 2px;">41</span>	Straight Plumb Lane	7,92	
78,92	1,68	 <span style="border: 1px solid black; padding: 2px;">42</span>	  Straight Moana Lane	6,23	

From TC 2 Tahoe		DISTANCE: <b>85,16 Km</b>		DAY: <b>1</b>			
To TC 3 Tahoe		AVERAGE: <b>510.96 kph</b>		SECTION: <b>1</b>			
				TIME ALLOWED: <b>10 min</b>			
DISTANCE		DIRECTION	INFORMATION	DISTANCE REGRESS			
TOTAL	PARTIAL						
<b>83,04</b>	<b>4,12</b>	 <div style="border: 1px solid black; padding: 2px; display: inline-block;">43</div>	  <b>Straight</b>	<b>2,12</b>			
<b>85,16</b>	<b>2,12</b>	 <div style="border: 1px solid black; padding: 2px; display: inline-block;">44</div>	 <b>TC 3</b> Truckee  (0,0)  <table border="1" style="font-size: small;"> <tr><td>N-39°26.366</td></tr> <tr><td>W-119°46.201</td></tr> <tr><td>ALT: 1373 m</td></tr> </table>	N-39°26.366	W-119°46.201	ALT: 1373 m	<b>0,00</b>
N-39°26.366							
W-119°46.201							
ALT: 1373 m							