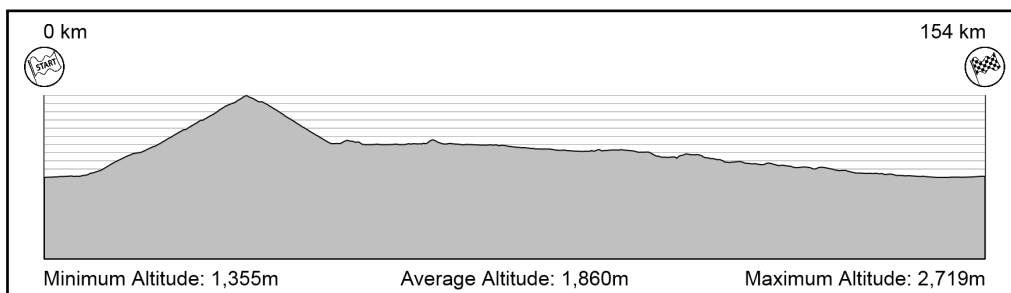




Reno Tahoe Rally

154 Km	Transit 1	2,68 Km
44 Waypoints	Special Stage 1	43,04 Km
	Transit 2	22,41 Km
	Special Stage 2	21,33 Km
99 Km Fuel Range	Transit 3	63,51 Km

	Total Transit	88,60 Km
	Total Special	64,37 Km
	Total Segment	153,50 Km






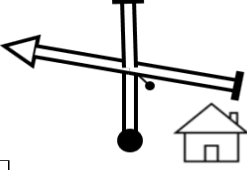
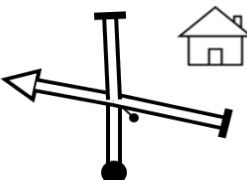
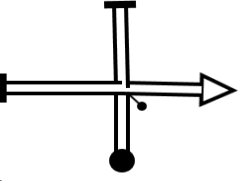
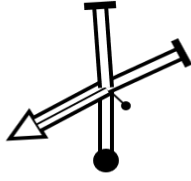


Start: 9482, Double Diamond Parkway, Reno, Washoe County, Nevada, United States, 89521	Finish: 9921-9999, South Virginia Street, Reno, Washoe County, Nevada, United States, 89511
--	---

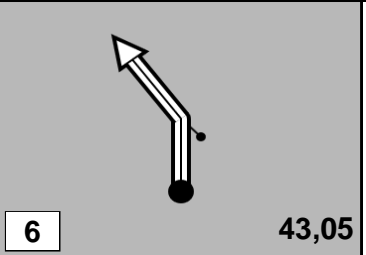

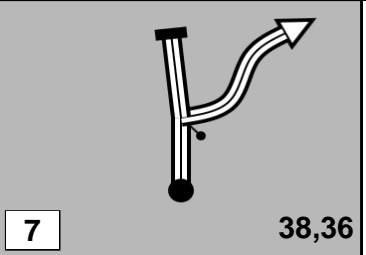

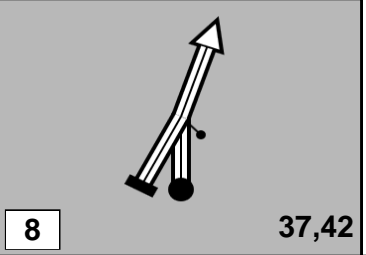
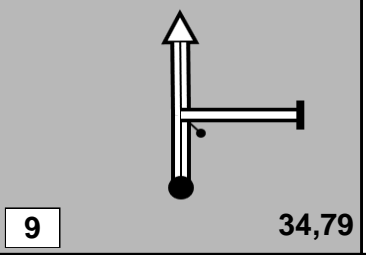
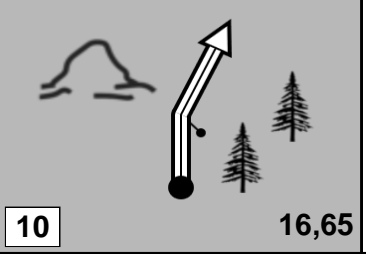


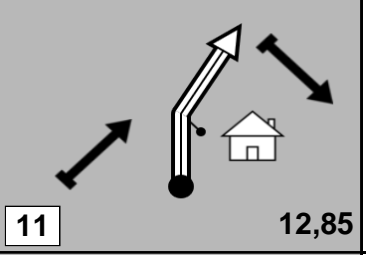
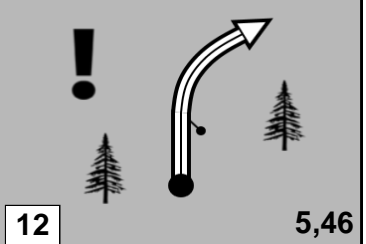
WARNING!!!



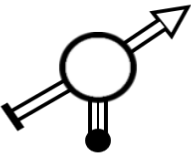












This route may be dangerous. Follow this route at your own risk.

Conditions change over time. Route leads to remote areas many miles from help. This is not a "closed" course. The route crosses and travels on public roads and highways where other vehicles, pedestrians, and animals may be present. Some hazards are identified here, for illustration purposes only, but most hazards are not identified or marked. Information provided is approximate, and should not be considered precise. Obey all laws and use caution at all times. If signs, maps, or other indicators suggest the route travels into closed, illegal, private property, or otherwise restricted areas, this roadbook should not be followed into such areas.

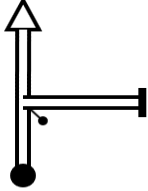

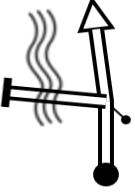
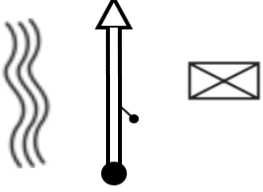


Rally Navigator is not responsible for the accuracy or safety of this route.

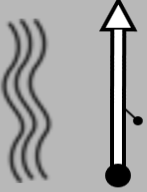



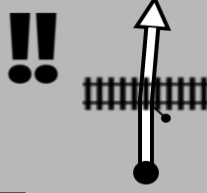
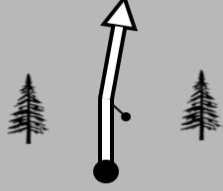

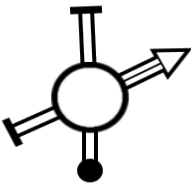



From TC 0 Double Diamond		DISTANCE: 2,68 Km		DAY: 1			
To TC 1 Double Diamond		AVERAGE: 16.08 kph		SECTION: 1			
				TIME ALLOWED: 10 min			
DISTANCE		DIRECTION	INFORMATION	DISTANCE REGRESS			
TOTAL	PARTIAL						
0,00	0,00	 <div style="border: 1px solid black; width: 20px; height: 20px; display: flex; align-items: center; justify-content: center; margin-top: 5px;">1</div>	 TC 0 Double Diamond  <table border="1" style="font-size: 8px; margin-top: 5px;"> <tr><td>N-39°26.711</td></tr> <tr><td>W-119°44.865</td></tr> <tr><td>ALT: 1356 m</td></tr> </table>	N-39°26.711	W-119°44.865	ALT: 1356 m	2,68
N-39°26.711							
W-119°44.865							
ALT: 1356 m							
0,09	0,09	 <div style="border: 1px solid black; width: 20px; height: 20px; display: flex; align-items: center; justify-content: center; margin-top: 5px;">2</div>	<div style="border: 1px solid black; border-radius: 50%; width: 40px; height: 40px; display: flex; align-items: center; justify-content: center; margin-bottom: 5px;">35</div> Left	2,60			
1,21	1,12	 <div style="border: 1px solid black; width: 20px; height: 20px; display: flex; align-items: center; justify-content: center; margin-top: 5px;">3</div>	<div style="border: 1px solid black; border-radius: 50%; width: 40px; height: 40px; display: flex; align-items: center; justify-content: center; margin-bottom: 5px;">45</div> Left	1,47			
1,95	0,74	 <div style="border: 1px solid black; width: 20px; height: 20px; display: flex; align-items: center; justify-content: center; margin-top: 5px;">4</div>	<div style="border: 1px solid black; border-radius: 50%; width: 40px; height: 40px; display: flex; align-items: center; justify-content: center; margin-bottom: 5px;">45</div> Right	0,73			
2,68	0,73	 <div style="border: 1px solid black; width: 20px; height: 20px; display: flex; align-items: center; justify-content: center; margin-top: 5px;">5</div>	 TC 1 Reno (0,12)  <table border="1" style="font-size: 8px; margin-top: 5px;"> <tr><td>N-39°26.368</td></tr> <tr><td>W-119°46.016</td></tr> <tr><td>ALT: 1371 m</td></tr> </table>	N-39°26.368	W-119°46.016	ALT: 1371 m	0,00
N-39°26.368							
W-119°46.016							
ALT: 1371 m							

From TC 1 Reno		DISTANCE: 65,56 Km		DAY: 1
To TC 2 Reno		RECORD: Revised Route		SECTION: 1
SPECIAL STAGE 1		TIME ALLOWED: 80 min		
Mt Rose 43,05 Km				
DISTANCE		DIRECTION	INFORMATION	DISTANCE REGRESS
TOTAL	PARTIAL			
0,00	0,00	 6 43,05	 START SS 1 Mt Rose 43,05 Km	65,56
4,68	4,68	 7 38,36	 Mt Rose Right onto Mt Rose Hwy	60,87
5,62	0,94	 8 37,42	Merge onto Mt Rose Hwy	59,94
8,26	2,63	 9 34,79	Straight	57,30
26,40	18,14	 10 16,65	  Mt Rose ski Resort	39,16
30,20	3,80	 11 12,85	Mt Rose Summit - 8900 ft.	35,36
37,59	7,39	 12 5,46	Overlook on Left	27,97



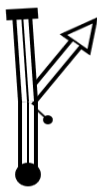

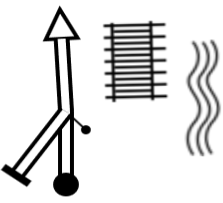

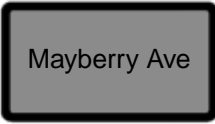

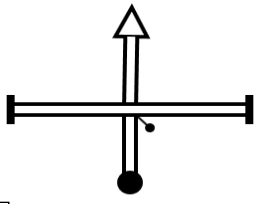

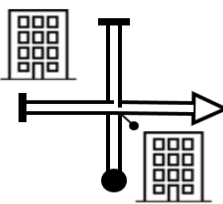
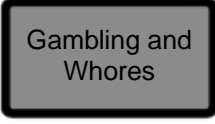
From TC 1 Reno		DISTANCE: 65,56 Km		DAY: 1
To TC 2 Reno		RECORD: Revised Route		SECTION: 1
SPECIAL STAGE 1		TIME ALLOWED: 80 min		
Mt Rose 43,05 Km				
DISTANCE		DIRECTION	INFORMATION	DISTANCE REGRESS
TOTAL	PARTIAL			
43,04	5,46	 13 0,0	 FINISH SS 1 Mt Rose 43,05 Km	22,52
43,20	0,16	 14	  Right  N-39°15.097 W-119°58.385 ALT: 1963 m	22,35
44,05	0,84	 15	Past Lakeshore Dr.	21,51
47,78	3,73	 16	Past CA/NV Stateline Casino	17,78
49,63	1,85	 17	Straight	15,93
49,88	0,25	 18	Straight	15,68
49,97	0,09	 19	    N-39°14.232 W-120°1.528 ALT: 1901 m	15,59

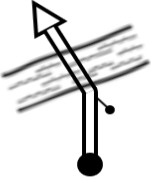
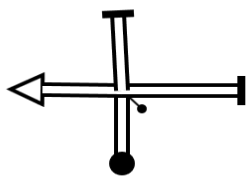
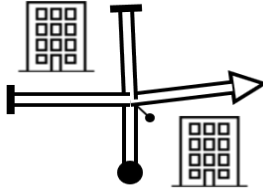
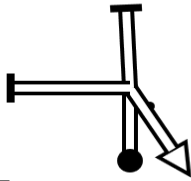
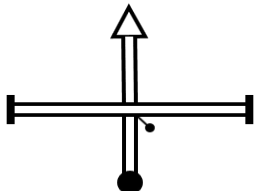
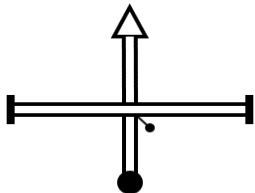


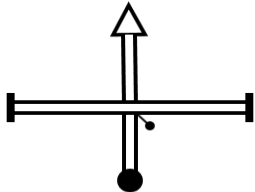

1





From TC 1 Reno		DISTANCE:		DAY:	1
To TC 2 Reno		65,56 Km		SECTION:	1
		AVERAGE:		TIME ALLOWED:	
		393.36 kph		10 min	
DISTANCE		DIRECTION	INFORMATION	DISTANCE	
TOTAL	PARTIAL			REGRESS	
50,50	0,53	 20	 Straight	15,06	
65,33	14,83	 21	Stay right	0,23	
65,56	0,23	 22	 TC 2 Tahoe (0,13)  N-39°9.969 W-120°8.816 ALT: 1900 m	0,00	

From TC 2 Tahoe		DISTANCE:		DAY:	1			
To TC 3 Tahoe		85,16 Km		SECTION:	1			
SPECIAL STAGE		2	RECORD:	TIME ALLOWED:				
Ski Hill		21,25 Km	Revised Route	110 min				
DISTANCE		DIRECTION	INFORMATION	DISTANCE				
TOTAL	PARTIAL			REGRESS				
0,00	0,00	 <div style="display: flex; justify-content: space-between;">2321,25</div>	 START SS 2 Ski Hill 21,25 Km	85,16				
5,70	5,70	 <div style="display: flex; justify-content: space-between;">2415,55</div>	Alpine Meadows	79,46				
7,89	2,19	 <div style="display: flex; justify-content: space-between;">2513,36</div>	Squaw Valley	77,27				
20,91	13,03	 <div style="display: flex; justify-content: space-between;">260,34</div>	Train Tracks	64,24				
21,25	0,34	 <div style="display: flex; justify-content: space-between;">270,0</div>	 FINISH SS 2 Ski Hill 21,25 Km	63,90				
21,42	0,17	 <div style="display: flex; justify-content: space-between;">28</div>	 Onto Hwy 80  <table border="1" style="font-size: small;"> <tr><td>N-39°19.325</td></tr> <tr><td>W-120°12.460</td></tr> <tr><td>ALT: 1793 m</td></tr> </table>	N-39°19.325	W-120°12.460	ALT: 1793 m	63,73	
N-39°19.325								
W-120°12.460								
ALT: 1793 m								
25,34	3,91	 <div style="display: flex; justify-content: space-between;">29</div>	Straight on HWY	59,82				

2

From TC 2 Tahoe		DISTANCE:		DAY:	1
To TC 3 Tahoe		85,16 Km		SECTION:	1
		AVERAGE:		TIME ALLOWED:	
		510.96 kph		10 min	
DISTANCE		DIRECTION	INFORMATION	DISTANCE	
TOTAL	PARTIAL			REGRESS	
52,26	26,92	 30	 Straight at NV State Line	32,90	
64,50	12,24	 31	 Exit Hwy 80	20,66	
64,79	0,29	 32	Merge onto 4th St. along Truckee River	20,37	
66,98	2,19	 33	 Mayberry Ave	18,18	
69,70	2,72	 34	Straight	15,46	
73,02	3,32	 35	 Straight	12,14	
74,05	1,03	 36	 Right at Casinos	11,11	

From TC 2 Tahoe		DISTANCE:		DAY:	1
To TC 3 Tahoe		85,16 Km		SECTION:	1
		AVERAGE:		TIME ALLOWED:	
		510.96 kph		10 min	
DISTANCE		DIRECTION	INFORMATION	DISTANCE	
TOTAL	PARTIAL			REGRESS	
74,60	0,55	 37	Straight across Truckee River	10,56	
74,99	0,39	 38	Left	10,17	
75,10	0,12	 39	45 Right	10,05	
75,10	0,00	 40	Right	10,05	
77,24	2,14	 41	Straight Plumb Lane	7,92	
78,92	1,68	 42	  Straight Moana Lane	6,23	
83,04	4,12	 43	 Straight	2,12	

From TC 2 Tahoe		DISTANCE:		DAY:	1			
To TC 3 Tahoe		85,16 Km		SECTION:	1			
		AVERAGE:		TIME ALLOWED:				
		510.96 kph		10 min				
DISTANCE		DIRECTION	INFORMATION	DISTANCE				
TOTAL	PARTIAL			REGRESS				
85,16	2,12		 TC 3 Truckee  (0,0)  <table border="1"> <tr><td>N-39°26.366</td></tr> <tr><td>W-119°46.201</td></tr> <tr><td>ALT: 1373 m</td></tr> </table>	N-39°26.366	W-119°46.201	ALT: 1373 m	0,00	
N-39°26.366								
W-119°46.201								
ALT: 1373 m								
		44						